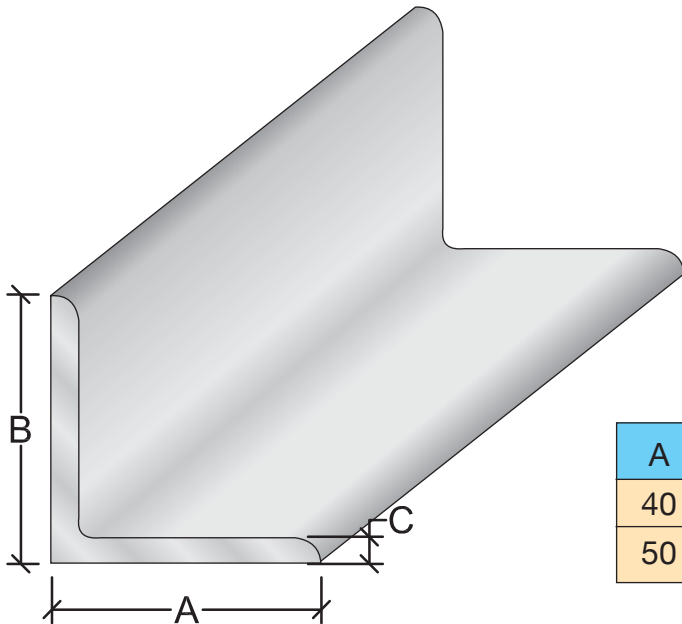
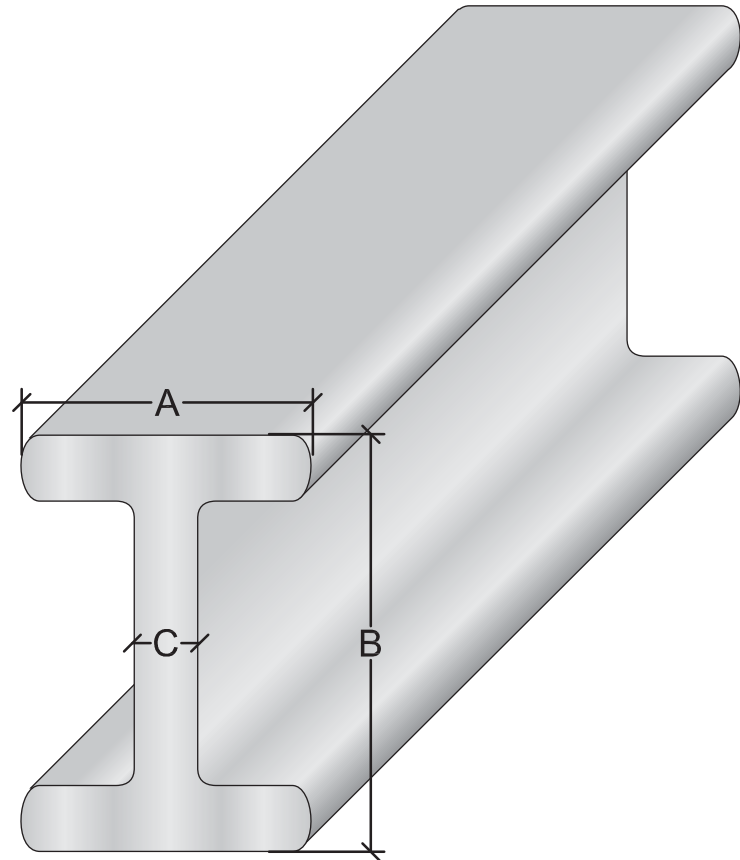


C-Channel

A	B	C	D	WT/MTR.(KG.)
50	50	15	3	0.99
100	50	15	3	1.24
150	80	15	3	1.78

I-Beam

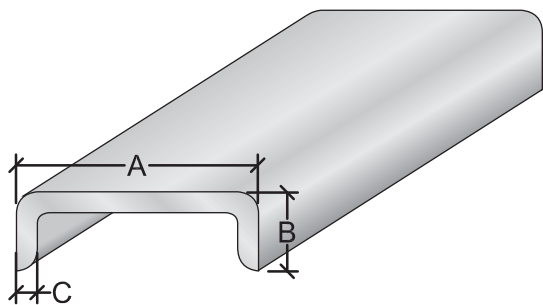
A	B	C	WT/MTR.(KG.)
15	38	3.8	0.50
15	25	3.8	0.35



Angle

A	B	C	WT/MTR.(KG.)
40	40	6	0.81
50	50	6	1.00

Pultruded Products

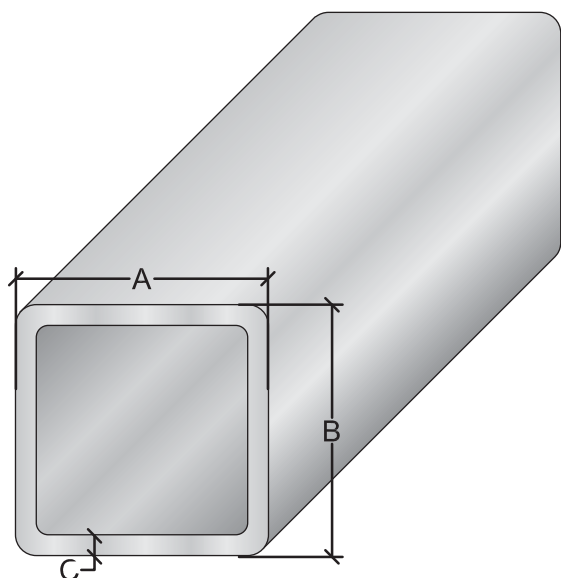
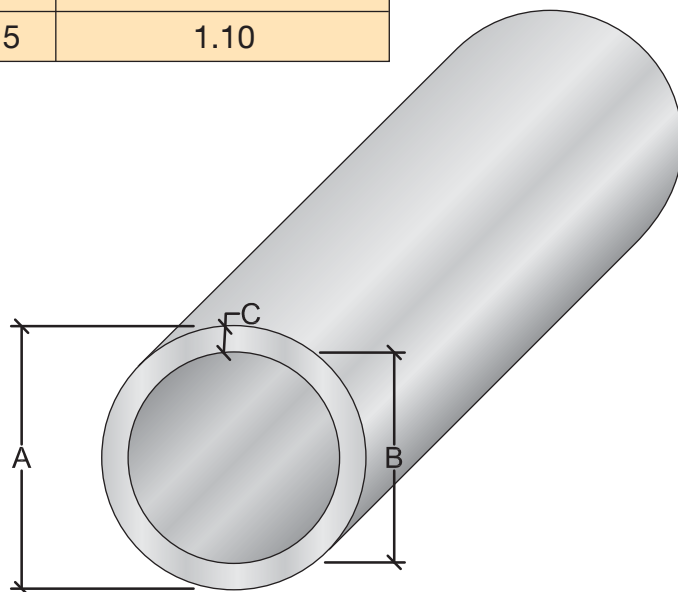


Channel

A	B	C	WT/MTR.(KG.)
100	30	4	1.15
100	30	6	1.60
75	30	4	0.93
75	30	6	1.35
150	40	6	2.41
50	40	5	1.10

Round Tube

A	B	C	WT/MTR.(KG.)
44	38	3	0.69
19	14	2.5	0.25
40	35	2.5	0.55
29.5	25	2.25	0.35

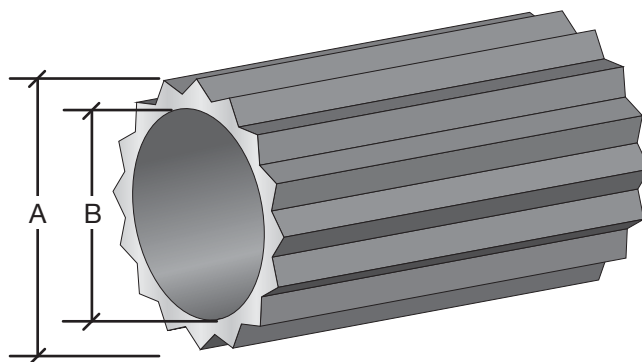


Square

A	B	C	WT/MTR.(KG.)
75	75	6	3.00
50	50	4.2	1.40
50	50	5	1.63

Ribbed Tube

A	B	WT/MTR.(KG.)
32	23	0.68



Insulation & Insulators (P) Ltd.

Diamond City South Apartments
Tower - 3, Flat - 11F
58, M.G. Road, Tollygunj, Karunamoyee, Kolkata
Pincode - 700 041, WB, India
+91 9748708809 & +91 9831031917

Corporate contacts for enquiries

Mr. Manish Bajoria, Director
manishbajoria203@hotmail.com

Mr. Vinod Agarwal
vinod@arcinsulations.com
vinodagarwal1970@yahoo.com