



# MADHYA PRADESH POWER TRANSMISSION CO.LTD.

(Wholly owned by Govt. of Madhya Pradesh)

CIN: U40109MP2001SGC014880, GST No. 23AADCM4432C1Z3

Block No.3, Shakti Bhawan, Rampur, Jabalpur-482008

Phone:(0761)270-2192, 2140, 2135; Fax:0761-2665593; e-mail:ce.proc.mptransco.nic.in

No. 04-01/TR-60/2018/TK-II/ 5460

Date: 7 SEP 2019

To,

**M/s Techno Electric & Engineering Co. Ltd.,**  
**3F, Park Plaza, (JV with M/s R.S. Infraprojects Pvt.Ltd.,)**  
**71, Park Street,**  
**Kolkata-700016.**

**Sub:-**Contract for construction of 132kV Substation, Transmission lines with associated feeder bays in western & control M.P. on total Turn-key Basis against tender specification TR-60/2018:-**Approval of drawings of Oil Storage Tank.**

**Ref:-** 1. Contract No. 04-01/TR-60/2018/TK-VII/06862-9 dtd. 11.02.2019.  
2. Your letter No. MPPTCL/Techno/MPPTCL/TR-60/19-20/VE/02dtd. 04.09.19.

Dear Sirs,

This has reference top your letter dtd. 04.09.2019, vide which you have submitted Drawings of Oil Storage Tank of your Vendor M/s ARC Insulations and Insulators Pvt. Ltd., for our approval against contract dtd. 11.02.2019 as per following details:-

Sr. No.	Description	Drawing No.
1	Oil Storage Tank-10 KL	ARC/13-14/FRPT/001(D)

These above drawings are generally found in order and hereby approve. Copy of approved drawing duly signed is enclosed herewith.

It may please be noted that approval of drawings does not absolve you to meet the technical requirement and shall not relieve you from responsibility to supply the equipment strictly in accordance with specifications. May please also note that in case, if any, observation noticed during at any time, same shall be required to be incorporated in drawing also. Please note that, if at any time, any abnormality is observed, we reserves the right to withdraw this approval with immediate effect without any pre-intimation.

Thanking you,

Yours sincerely,

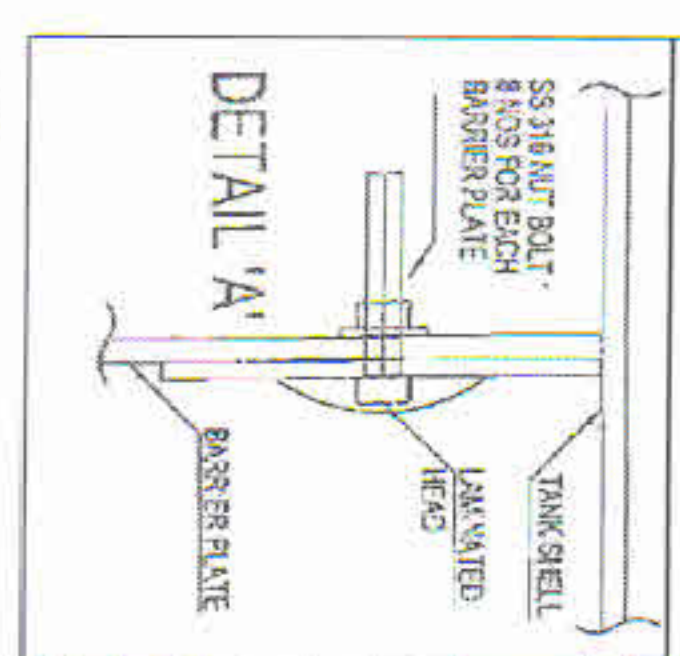
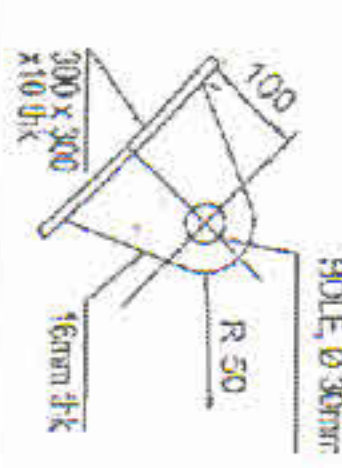
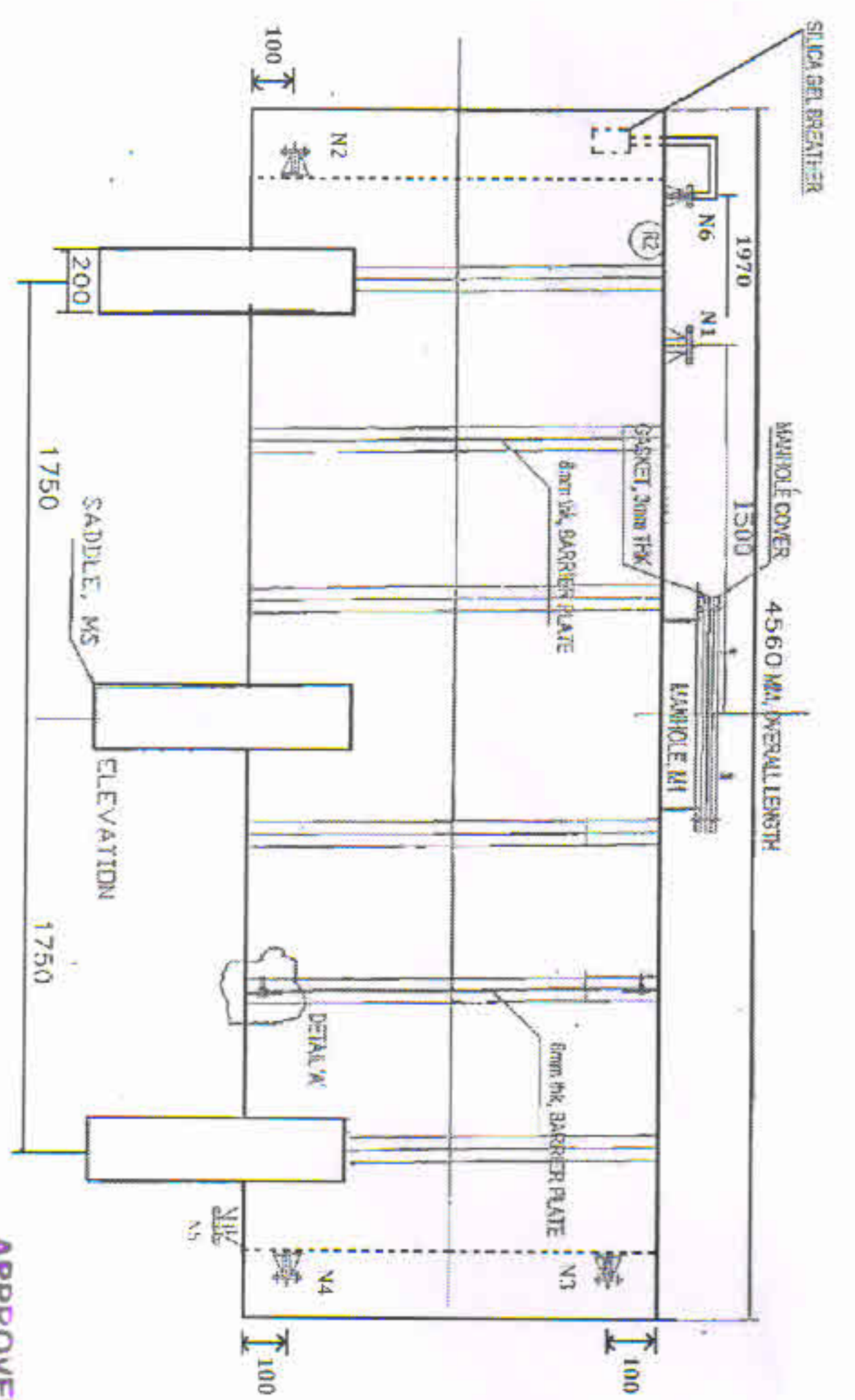
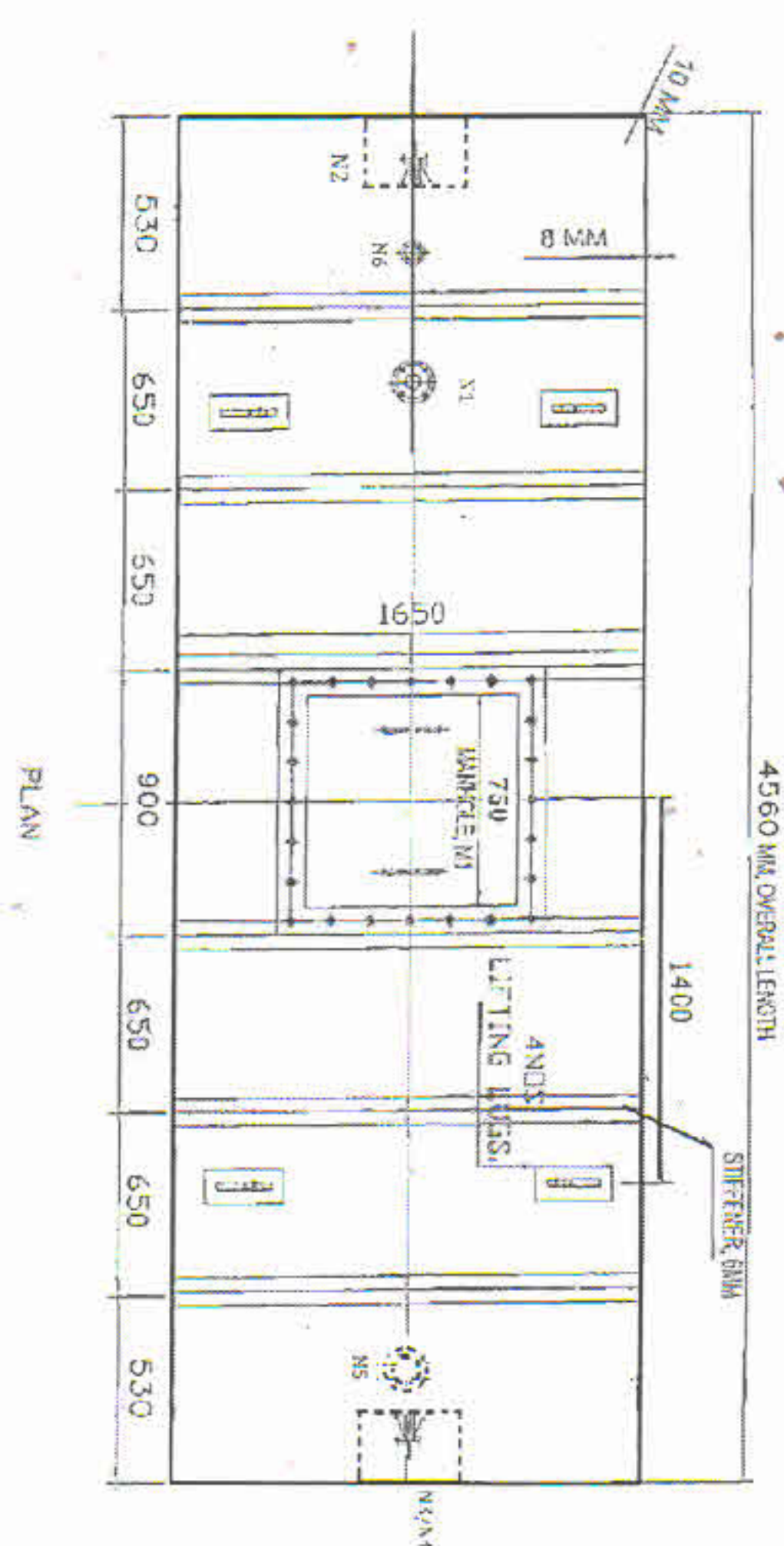
**Chief Engineer (Procurement)**

**Copy to:-**

1. The Chief Engineer (EHT:C)/(T&C), MPPTCL, Jabalpur.
2. The Superintending Engineer (EHT:C), MPPTCL, Indore.
3. The Executive Engineer (EHT:C), MPPTCL, Barwaha-II/Indore.



FOR APPROVAL ONLY

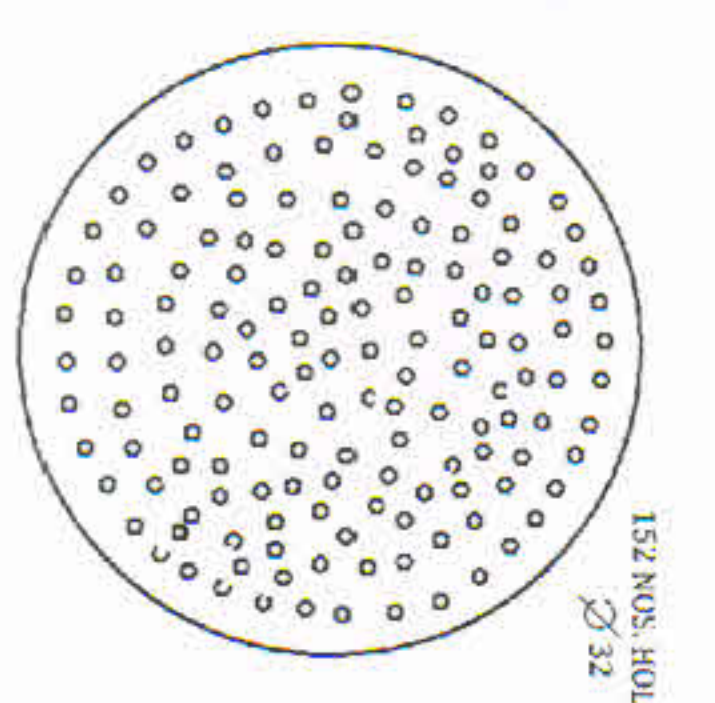
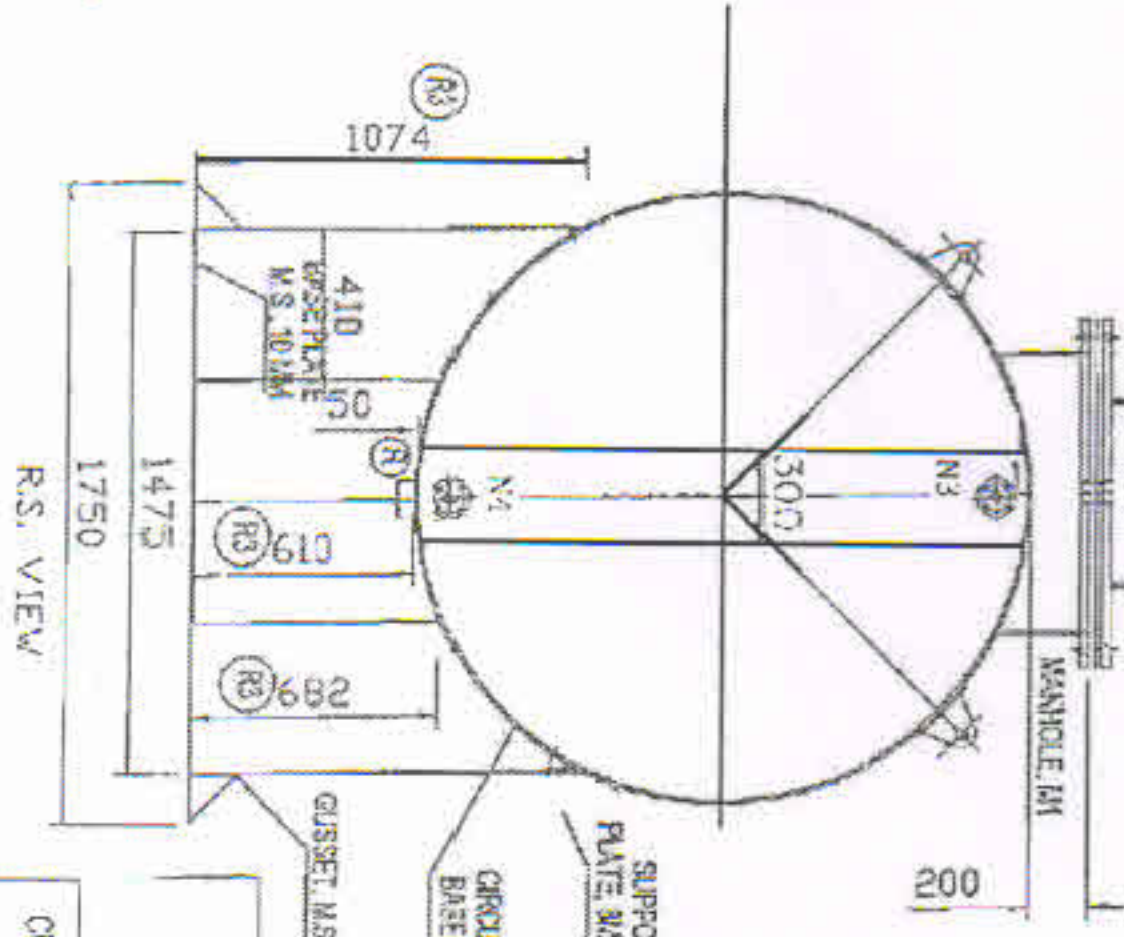


DESIGN DATA		DESIGN DATA	
DESIGN CODE	: ES-49K	SIZE	: 1650 mm (D) X 1504 (L)
DESIGN PRESSURE	: 175-170 HEAD	NAME OF PROPRIETOR	: OIL TRANSPORTATION TANK
DESIGN TEMP	: 70C	THICKNESS OF SHEET	: 8 mm
SERVICE TYPE	: TRANSPORTATION OIL	THICKNESS OF END PLATE	: 10 mm
SERVICE TYPE	: STORAGE + TRANSPORTATION	THICKNESS OF BARBER PLATE	: 7.8 mm
WORKING PRESSURE	: ATM	INSIDE FINISHING	: MILLER FINISHING
OPERATING TEMP	: 50 C	OUTSIDE FINISHING	: MATT. D.A. GREY PRIMERED
LIQUID DENSITY	: 6.30-6.99	NOZZLE STANDARDS	: ANSI B 1.2.5 # ASA 124
LIQUID VISCOSITY	: ATM STAYERS HEAD	NOZZLE PROJECTION	: 120 mm
LIQUID VISCOSITY	: ATM STAYERS HEAD	TANK COLOR	: D.A. GREY
GROSS VOLUME	: 10,000 LITRES	TANK FABRICATOR	: HANU LAYUP PROCESS WITH ATM
EMPTY WEIGHT	: 1250-400 KGS	MANUFACTURING TECHNIQUE	: MOLDING - SINGLE PART CONSOLIDATION
FULL OF WATER WEIGHT	: 13,350 - 15000 KGS		
TYPE OF TANK	: HORIZONTAL CIRCULAR WITH DIVIDED ENDS		
TESTING AND INSPECTION	: HYDROSTATIC, ULTRASONIC, THICKNESS, WATER PULLING FOR 40 HRS. & INSPECTED FOR DEFLECTION & TENSILE STRENGTH BEFORE DISPATCH		
QUANTITY	: 01		
QUANTITY	: 01		

NOZZLE SCHEDULE		NOZZLE SCHEDULE	
NO.	DESCRIPTION	SIZE	QTY
M1	MANHOLE (RECTANGULAR)	150 X 750	1
M2	WATER INLET	50	1
M3	WATER OUTLET	50	1
M4	LEVEL INDICATOR	50	1
M5	DRAIN	50	1
M6	SPARE (BREATHING)	50	1
M7	SPARE (BREATHING)	50	1

NOTE:  
 1. HOLE WELDED DIRECTLY TO MS STIFFENERS RINGS IMPREGNATED WITH CLASS FIBRES FOR PREVENTION OF CORROSION  
 2. VALVE IS MARK GUN METAL GATE VALVES WITH FLANGES ON BOTH SIDES

WARRANTY:  
 The offered equipment shall be guaranteed any manufacturing defect, faulty design or poor workmanship for a period of 36 months from the date of commissioning or 36 months from the date of receipt of material at site, whichever is earlier.



FOR FURTHER SUPPLIES

Executive Engineer (Sis) Chief Engineer (Procurement) M.P.P.T.C.L., JABALPUR

APPROVED

ARC INSULATIONS AND INSULATORS PVT. LTD. M P POWER TRANSMISSION CO. LTD.

CONTRACTOR: Techno Electric & Engineering Co. Ltd

DATE	SIGN	TITLE
10/12/2013	SUBHARTE	DRWING NO - ARC/MS-3-47-RT/2013/105