

SECTION A-A'

SECTION C-C'

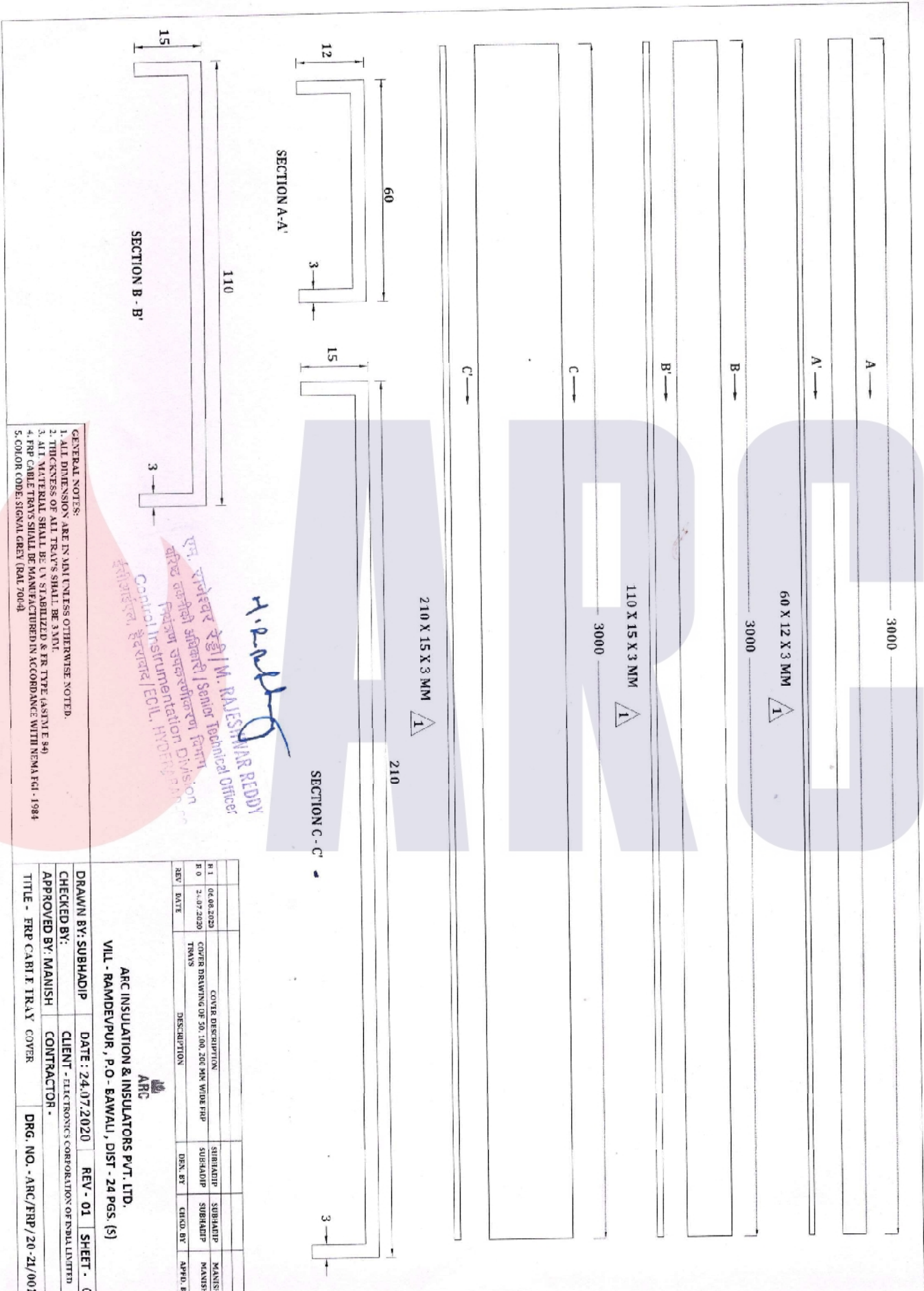
- GENERAL NOTES:**
1. ALL DIMENSIONS ARE IN MILLIMETERS OTHERWISE NOTED.
  2. ALL HOLES SHALL BE 8MM.
  3. THICKNESS OF ALL TRAYS SHALL BE 3MM.
  4. ALL MATERIAL SHALL BE TYPE STABILIZED & FR TYPE (AS PER IS 84).
  5. FRP CABLE TRAYS SHALL BE MANUFACTURED IN ACCORDANCE WITH IS 10944.
  6. COLOR CODE: SIGNAL GRAY (RAL 7009).

*Approved for Manufacturing*  
*H. Lakshmi* 18/10/2020  
 Mr. Rameshwar Reddy  
 Senior Technical Officer  
 Control Instrumentation Division  
 Hindustan Petroleum Corporation Limited  
 H.P.C.L. HINDENAGUDA

REV	DATE	DESCRIPTION	DRN BY	CHKD BY	APPD BY
R 1	06.08.2020	CABLE TRAY DESCRIPTION	SUBHADIP	SUBHADIP	MANISH
R 0	24.07.2020	50, 100, 200 MM FRP CABLE TRAY DRAWING WITH PERFORATION DETAILS	SUBHADIP	SUBHADIP	MANISH

ARC INSULATION & INSULATORS PVT. LTD.  
 VILL - RAMDEVPUR, P.O - BAWALI, DIST - 24 PGS. (S)

DRAWN BY: SUBHADIP	DATE: 24.07.2020	REV: 01	SHEET: 01
CHECKED BY: MANISH	CLIENT - ELECTRONICS CORPORATION OF INDIA LIMITED		
APPROVED BY: MANISH	CONTRACTOR -		
TITLE - FRP CABLE TRAY	DRG. NO. - ARC/FRP / 20-21/0025		



GENERAL NOTES:  
 1. ALL DIMENSIONS ARE IN MM UNLESS OTHERWISE NOTED.  
 2. THICKNESS OF ALL TRAYS SHALL BE 3MM.  
 3. ALL MATERIAL SHALL BE UV STABILIZED & FR TYPE (ASTM E 84)  
 4. FRP CABLE TRAYS SHALL BE MANUFACTURED IN ACCORDANCE WITH NEMA IEC-1984  
 5. COLOR CODE: SIGNAL GREY (RAL 7004)

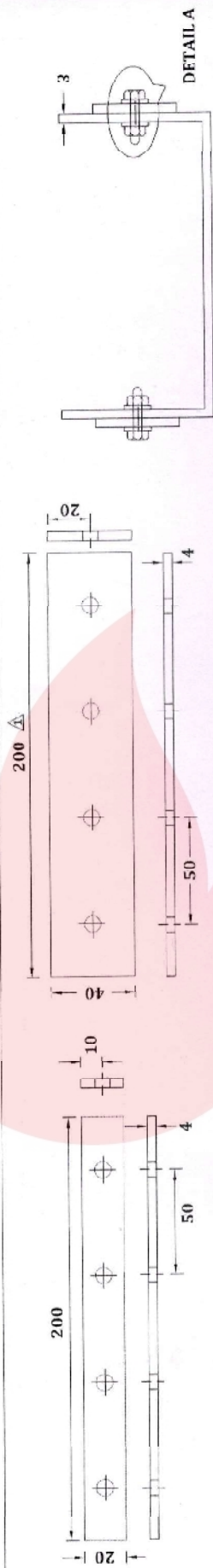
DR. RAJESH K. S. / M. RAJESH K. S. / Senior Technical Officer  
 Capital Instrumentation Division  
 ECHL, HYDERABAD

H. R. Reddy

REV	DATE	DESCRIPTION	SUBHADIP	SUBHADIP	SUBHADIP	MANISH
1	06.08.2020	COVER DRAWING OF 50.100.200 MM WIDE FRP TRAYS	SUBHADIP	SUBHADIP	SUBHADIP	MANISH
2	24.07.2020					

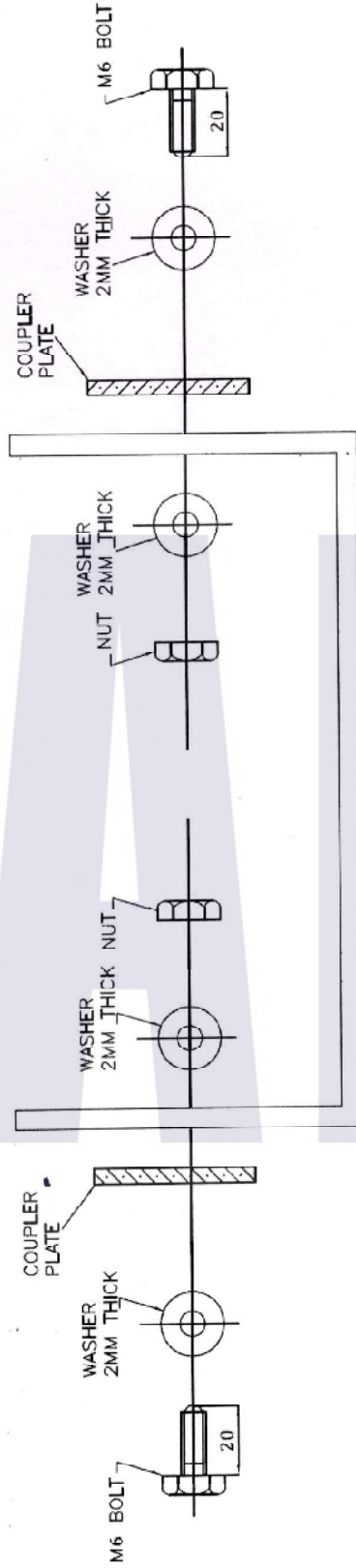
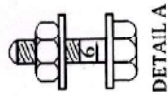
ARC INSULATION & INSULATORS PVT. LTD.  
 VILL - RAMDEVPUR, P.O - BAWALI, DIST - 24 PGS. (S)

DRAWN BY: SUBHADIP      DATE: 24.07.2020      REV - 01      SHEET - 02  
 CHECKED BY:      CLIENT - ELECTRONICS CORPORATION OF INDIA LIMITED  
 APPROVED BY: MANISH      CONTRACTOR -  
 TITLE - FRP CABLE TRAY COVER      DRG. NO. - ARC/FRP/20-21/0025



Coupler Plate for 100/200 mm Width

Coupler Plate for 50 mm Width



**SEQUENCE OF M6 BOLT, WASHER, NUT, COUPLER PLATE & CABLE TRAY**

**FOR TYPICAL CABLE TRAY JOINT**

QTY	COUPLER	NUT	BOLT	WASHER
1	2	8	8	8
SET	NOS.	NOS.	NOS.	NOS.

*M. R. Reddy 27/8/2020*  
 M. RAJESHWAR REDDY  
 Senior Technical Officer  
 एम. राजेश्वर रेड्डी / Senior Technical Officer  
 विद्युत उपकरण विभाग  
 Control Instrumentation Division  
 एन.ए.सी. बिल्डिंग / EOL, HYDRABAD

- GENERAL NOTES:
1. ALL DIMENSIONS ARE IN MM UNLESS OTHERWISE NOTED.
  2. ALL HOLES SHALL BE 8 MM.
  3. ALL MATERIALS SHALL BE LY STABILIZED & FR TYPE (ASTM E 84)
  4. FRP CABLE TRAYS SHALL BE MANUFACTURED IN ACCORDANCE WITH NEMA FG1 - 1984
  5. COLOR CODE: GENERAL GREY (RAL 7009)
  6. ALL DIMENSIONS SHALL BE AS SHOWN.
  7. AS PER NEMA STD. COUPLER WIDTH MUST BE LESS THAN TRAY WIDTH.

REV	DATE	DESCRIPTION	DEN. BY	CHEK. BY	APPD. BY
R1	06.06.2020	GENERAL NOTES			
R0	24.07.2020	COUPLER PLATE DRAWING FOR 50, 100, 200 MM CABLE TRAY			

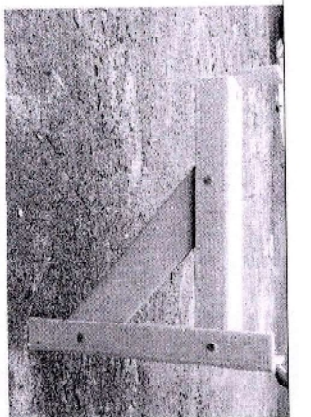
  

SUBHADIP	MANISH
SUBHADIP	MANISH

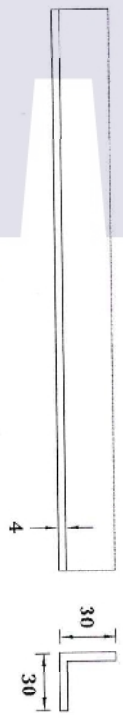
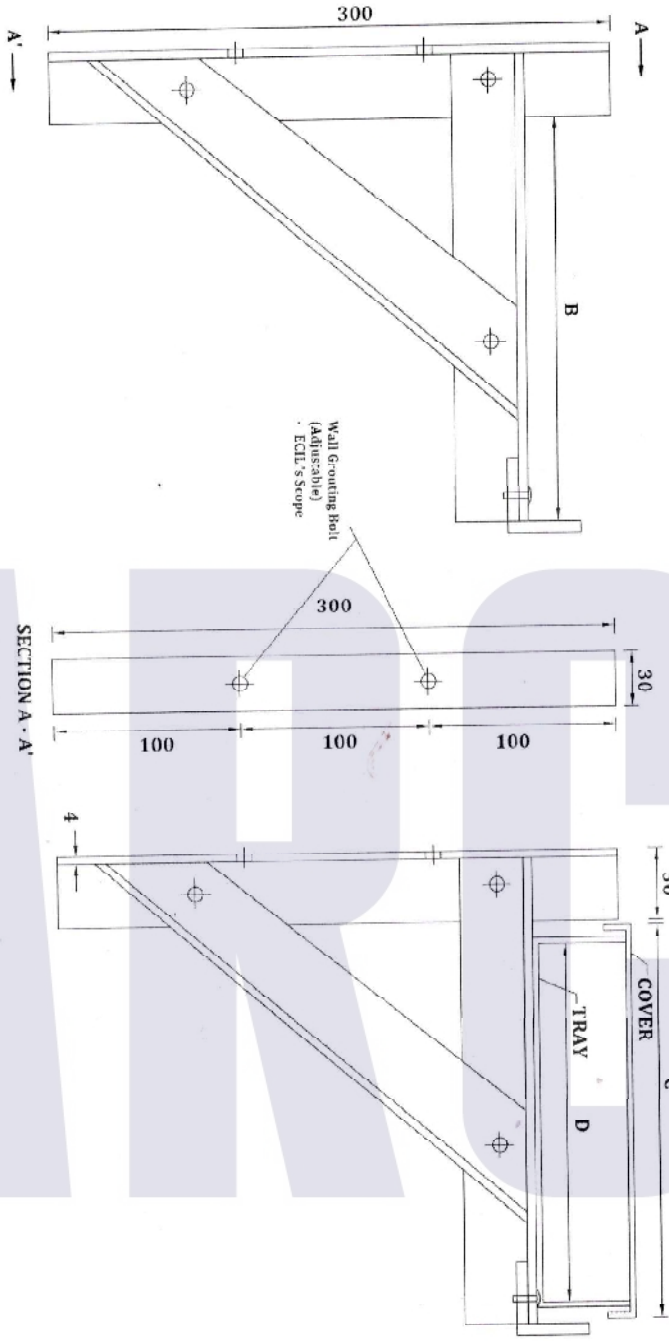
  

DATE : 24.07.2020	REV - 01	SHEET - 03
CHECKED BY: MANISH	CLIENT - ELECTRONICS CORPORATION OF INDIA LIMITED	
APPROVED BY: MANISH	CONTRACTOR -	
TITLE - FRP CABLE TRAY COUPLER	DRG. NO. - ARC/FRP/20-21/0025	

ARC  
 ARC INSULATION & INSULATORS PVT. LTD.  
 VILL - RAMDEVPUR, P.O - BAWALI, DIST - 24 PGS. (5)



PLAN



FRP ANGLE 30 X 30 X 4

*N.R. Reddy*  
*18/10/2020*

**M. RAJESHWAR REDDY**  
 Senior Technical Officer  
 Control Division  
 Electrical Department  
 Government of Karnataka

SL. NO.	DESCRIPTION	A	B	C	D	QTY
01	CABLE BEARER 1 (FOR 50 W CABLE TRAY)	100	56	60	50	200 Nos.
02	CABLE BEARER 1 (FOR 100 W CABLE TRAY)	150	116	110	100	200 Nos.
03	CABLE BEARER 1 (FOR 200 W CABLE TRAY)	250	216	210	200	200 Nos.

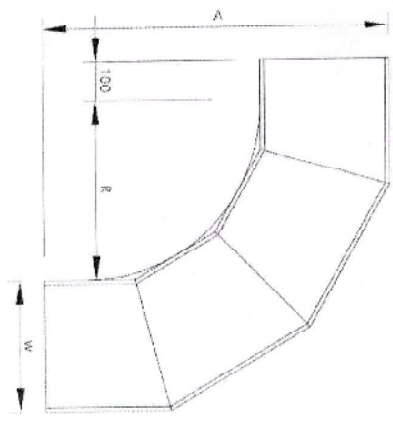
**GENERAL NOTES:**  
 1. ALL DIMENSIONS ARE IN MM UNLESS OTHERWISE NOTED.  
 2. ALL HOLE DIA SHALL BE 8 MM.  
 3. ALL MATERIAL SHALL BE UV STABILIZED & FR TYPE (ASTM E 84).  
 4. FRP CABLE TRAYS SHALL BE MANUFACTURED IN ACCORDANCE WITH NEMA FG-1994.  
 5. EACH SECTION OF 3000 MM TRAY HAS TO BE SUPPORTED BY 3 NOS OF SUPPORTS.  
 6. COLOR CODE: SIGNAL GREY (RAL 7004).

REV	DATE	DESCRIPTION	DWN BY	CHKD BY	APPD BY
R 1	06-08-2020	BEARER QUANTITY	SUBHADIP	SUBHADIP	MANISH
R 0	24-07-2020	CABLE TRAY BEARER DRG. OF 50, 100, 200 MM WIDE FRP TRAYS	SUBHADIP	SUBHADIP	MANISH

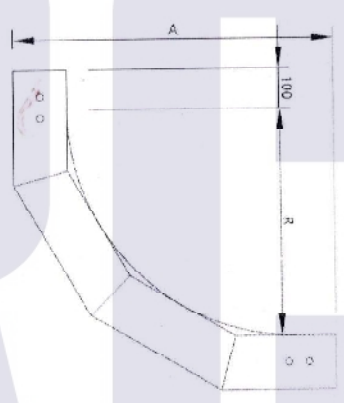
**ARC INSULATION & INSULATORS PVT. LTD.**  
 VILL - RAMDEVNUR, P.O - BAWALI, DIST - 24 PGS. (5)

ARC

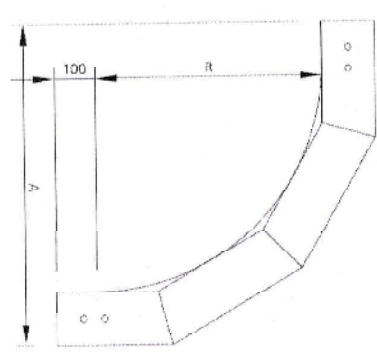
DRAWN BY: SUBHADIP      DATE: 24.07.2020      REV - 01      SHEET - 04  
 CHECKED BY:      CLIENT - ELECTRONICS CORPORATION OF INDIA LIMITED  
 APPROVED BY: MANISH      CONTRACTOR -  
 TITLE - FRP CABLE TRAY BEARER      DRG. NO. - ARC/FRP/20-21/0025



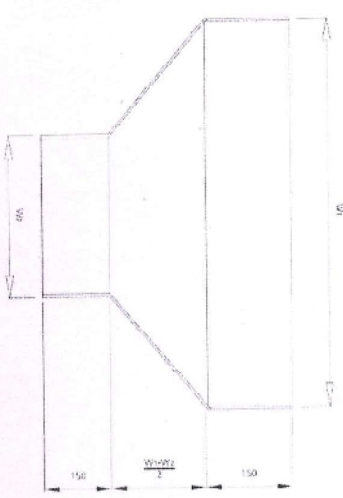
90° HB			
TRAY TYPE	W	A	R
200 x 50	200	600	300
100 x 50	100	500	300
50 x 25	50	400	300



90° IVB			
TRAY TYPE	W	A	R
TP 200 50 C	200	450	300
TP 100 50 U/C	100	450	300
TP 050 50 C	50	450	300



90° CVB			
TRAY TYPE	W	A	R
TP 200 50 C	200	450	300
TP 100 50 U/C	100	450	300
TP 050 50 C	50	450	300



REDUCER			
TRAY TYPE	W1	W2	
100 x 50	100	50	
200 x 100	200	100	
200 x 50	200	50	

- GENERAL NOTES:**
1. ALL DIMENSIONS ARE IN MM UNLESS OTHERWISE NOTED.
  2. THE KNES OF ALL TRAYS SHALL BE 3YED.
  3. ALL MATERIAL SHALL BE TV STABILIZED & FR TYPE (ASTM E 84)
  4. FRP CABLE TRAYS SHALL BE MANUFACTURED IN ACCORDANCE WITH NEMA IECI - 1984
  5. COLOR CODE: SIGNAL GREY (RAL 7004)

**OK.**

*H. R. Reddy* 7/8/2020

**Dr. M. V. JESHWAR REDDY**  
 Senior Technical Officer  
 Senior Engineer / Senior Technician  
 Fire Protection Instrumentation Division  
 Control Building / ECI - Hyderabad

REV	DATE	DESCRIPTION	DEN. BY	CHRD. BY	APPR. BY
1.0	06.08.2020	CABLE TRAY ACCESSORIES DRAWING OF SC. 100, 200 MM WIDE	SUBHADIP	SUBHADIP	MANISH

**ARC INSULATION & INSULATORS PVT. LTD.**  
 VILL - RAMDEVPUR, P.O. - BAWALI, DIST - 24 PGS. (S)

DRAWN BY: SUBHADIP	DATE: 06.08.2020	REV. 00	SHEET - 05
CHECKED BY: MANISH	CLIENT - ELECTRONICS CORPORATION OF INDIA LIMITED		
APPROVED BY: MANISH	CONTRACTOR -		
TITLE - FRP CABLE TRAY ACCESSORIES DRG. NO. - ARC/FRP/20-21/0025			





## QUALITY ASSURANCE PLAN

ARC INSULATION & INSULATORS PVT. LTD.  
 VILL - RAMDEVPUR, P.O - BAWALI, DIST - 24 PGS. (S)  
 WEST BENGAL, INDIA  
 PIN - 743384

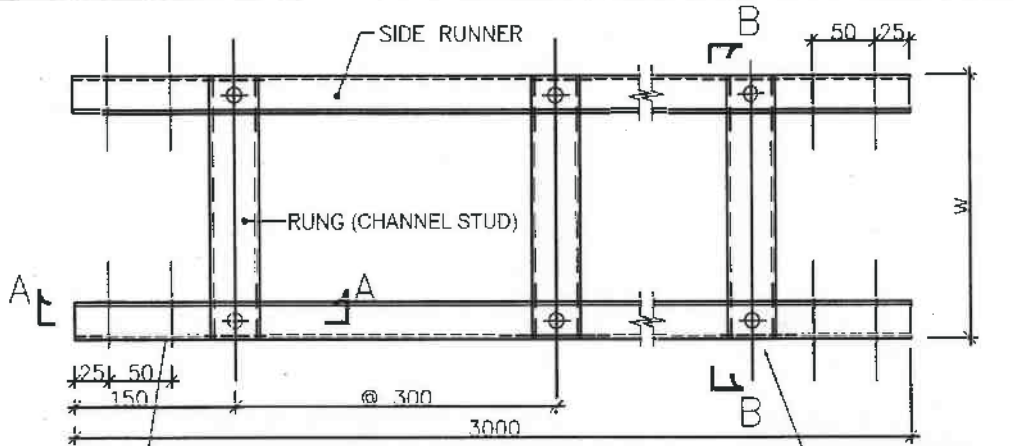
ITEM - FRP CABLE TRAY  
 CUSTOMER : DEPARTMENT OF ATOMIC ENERGY, GOVT. OF INDIA  
 MAIN SUPPLIER : ARC  
 PO NO : DPS/MRP/1/3/1560/PO/1226

QAP NO. - ARC/QAP/20-21/10  
 REV NO. - 0  
 DATE - 27.03.2021  
 PAGE - 1 OF 3

Sl. No.	COMPONENT & OPERATIONS	CHARACTERISTICS	CLASS	TYPE OF CHECK	QUANTUM OF CHECK	REFERENCE DOCUMENTS	ACCEPTANCE NORMS	FORMAT OF RECORD	AGENCY			REMARKS
									M	C	B	
1..	2..	3..	4..	5..	6..	7..	8..	9..	10..**			11..
<b>A. RAW MATERIAL</b>												
<b>1 RESIN - UNSATURATED POLYESTER RESIN</b>												
i	Appearance	Composition	-	Chemical Analysis	One in Total Lot	As Per Standard/Data Sheet/Tech Sheet	IS 6746	MANUFACTURER TEST REPORTS	P	V	V	V
ii	Sp. Gravity	Composition	-	Chemical Analysis	One in Total Lot	As Per Standard/Data Sheet/Tech Sheet	IS 6746	MANUFACTURER TEST REPORTS	P	V	V	V
iii	Viscosity	Composition	-	Chemical Analysis	One in Total Lot	As Per Standard/Data Sheet/Tech Sheet	IS 6746	MANUFACTURER TEST REPORTS	P	V	V	V
iv	Acid Value	Composition	-	Chemical Analysis	One in Total Lot	As Per Standard/Data Sheet/Tech Sheet	IS 6746	MANUFACTURER TEST REPORTS	P	V	V	V
<b>2 FIBER ROVING 4800</b>												
i	Filament Diameter	Composition	-	Chemical Analysis	One in Total Lot	As Per Standard/Data Sheet/Tech Sheet	IS 11320:1997	MANUFACTURER TEST REPORTS	P	V	V	V
ii	Moisture Content (%)	Composition	-	Chemical Analysis	One in Total Lot	As Per Standard/Data Sheet/Tech Sheet	IS 11320:1997	MANUFACTURER TEST REPORTS	P	V	V	V
iii	Loss on Ignition (%)	Composition	-	Chemical Analysis	One in Total Lot	As Per Standard/Data Sheet/Tech Sheet	IS 11320:1997	MANUFACTURER TEST REPORTS	P	V	V	V
<b>3 CSM 450 Mat</b>												
i	Moisture Content (%)	Composition	-	Chemical Analysis	One in Total Lot	As Per Standard/Data Sheet/Tech Sheet	As Per Standard/Data Sheet/Tech Sheet	MANUFACTURER TEST REPORTS	P	V	V	V
iii	Loss on Ignition (%)	Composition	-	Chemical Analysis	One in Total Lot	As Per Standard/Data Sheet/Tech Sheet	As Per Standard/Data Sheet/Tech Sheet	MANUFACTURER TEST REPORTS	P	V	V	V
LEGEND: * RECORDS, IDENTIFIED WITH "TICK" ( ) SHALL BE ESSENTIALLY INCLUDED BY SUPPLIER IN QA DOCUMENTATION. ** M: MANUFACTURER/SUB-SUPPLIER C: DPS/NOMINATED INSPECTION AGENCY, B: DPS /NOMINATED INSPECTION AGENCY, P: PERFORM/PRODUCE W: WITNESS AND V: VERIFICATION, AS APPROPRIATE.												
MANUFACTURER										APPROVED BY		APPROVAL SEAL
SIGNATURE												
DOC. NO. _____ REV. _____ CAT. _____												



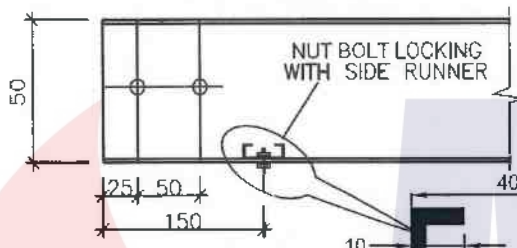
**ए. आर. सिन्धुगार / ए. एस. हेडल, सजी. टी. ए. - ओ. एस. / हेडल, सजी. टी. ए. - ओ. एस. / आर. सी. ई. सी. / आर. सी. ई. सी. / आर. सी. ई. सी. / आर. सी. ई. सी.**  
**इंदिरा गांधी परमाणु अनुसंधान केंद्र**  
**Indira Gandhi Centre for Atomic Research**  
**कापकम / कापकम तमिलनाडु / Tamil Nadu-603 102**



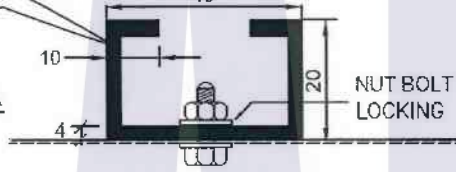
**FRP LADDER TYPE CABLE TRAY**

NUT BOLT LOCKING SUITABLE TO WITHSTAND LOADING SPECIFIED IN DATA SHEET.

4 Nos. OF 10 DIA.HOLES(TYP)

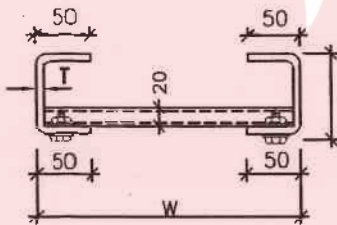


**SEC-AA**

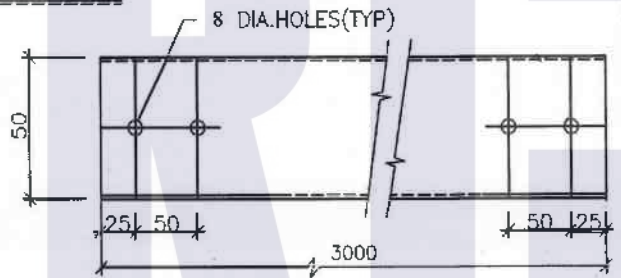


**RUNG (CHANNEL STUD)**

NUT BOLT LOCKING OF RUNG WITH SIDE RUNNER



**SEC-BB**



**SIDE RUNNER**

W	100	150	300
T	3	3	3



QTY. REQD/TRAY SECTION

- A) 20 NOS. M6 BOLTS
- B) 20 NOS. NUTS
- C) 40 NOS. WASHERS

*Approval*  
*2/2/20*  
*05/04/21*

**INDRA GANDHI CENTRE FOR ATOMIC RESEARCH**  
 इंदिरा गांधी परमाणु अनुसंधान केंद्र  
 கரையாக்கம் / Kalpakkam - தமிழ்நாடு / Tamil Nadu 603 102

ALL DIMENSION ARE IN MM

**DEPARTMENT OF ATOMIC ENERGY**

DIRECTORATE OF PURCHASE AND STORES

**ARC** INSULATION & INSULATORS PVT. LTD.  
 WILL - RAMDEVPUR, P.O. - BAWALI, DIST - 24 PGS (S)  
 PIN - 743384, WEST BENGAL, INDIA

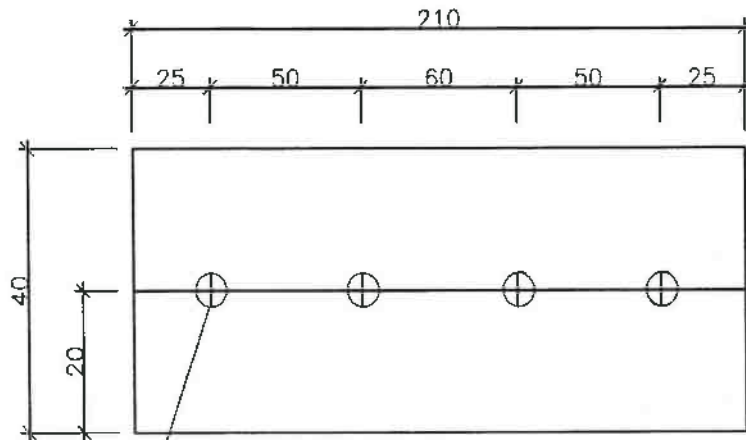
REV	DATE	ALTD	CHD	APPD	REV	DATE	ACTD	CHD	APPD

TITLE **TYPICAL DETAILS FRP CABLE TRAYS & ACCESSORIES**

MPL	CHK	MSE	WALK	F.FO	CIVIL	DEPN	SIGN.F	NO SCALE	DRAWING No.
									<b>ARC/FRP/20-2 1/12</b>

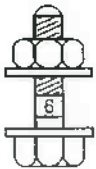
SHEET 1 OF 8 REV 00





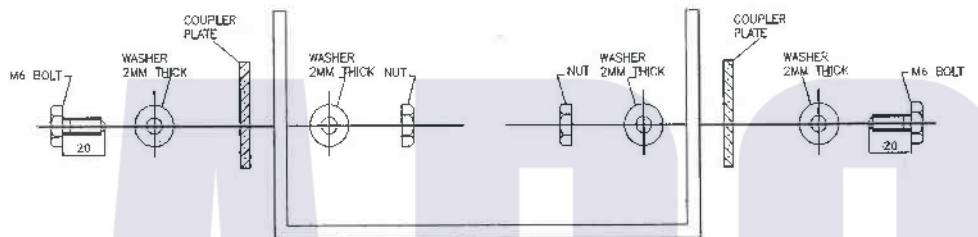
7 DIA. HOLE (TYP)

### FRP SIDE COUPLER PLATE FOR FRP LADDER/PERFORATED TYPE TRAYS



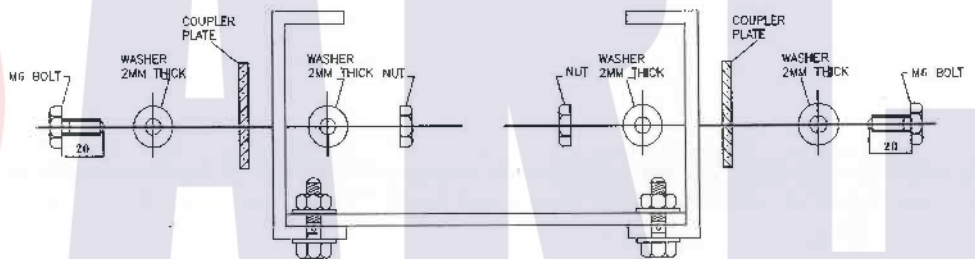
QTY. REQD/TRAY SECTION

- A) 8 NOS. M6 BOLTS
- B) 8 NOS. NUTS
- C) 16 NOS. WASHERS



SEQUENCE OF M6 BOLT, WASHER, NUT, COUPLER PLATE & CABLE TRAY

FOR TYPICAL CABLE TRAY JOINT



SEQUENCE OF M6 BOLT, WASHER, NUT, COUPLER PLATE & CABLE TRAY

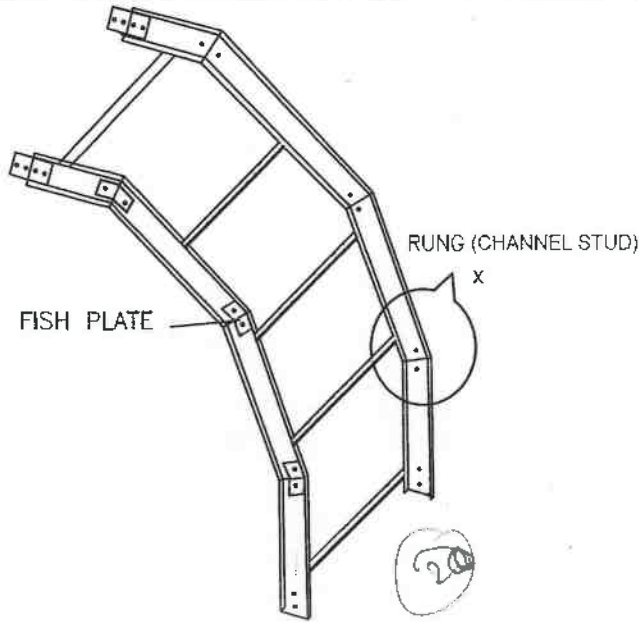
FOR TYPICAL CABLE TRAY JOINT

*Approve*  
*J. S. Saha*  
*05/07/21*

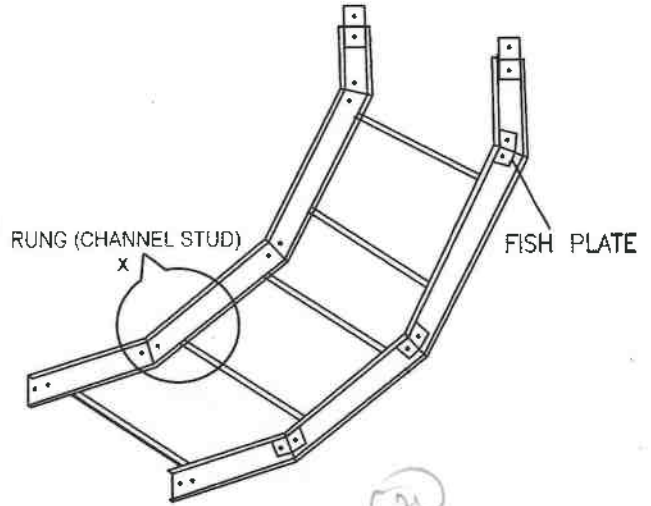
ए. एस. सिवकुमार / L. S. Sivakumar,  
 प्रबन्ध, एस्.जी.टी.एफ.-ओ.एस्./Head, SGTF-06  
 आरआईडीसी/एसएफजी/आरडीएफडीसी/RODISFGRD&TG  
 इंदिरा गांधी केंद्र परमाणु अनुसंधान केंद्र  
 Indira Gandhi Centre for Atomic Research  
 कलकत्ता/काल्पक्कम तमिलनाडु/Tamil Nadu-603 102

ALL DIMENSION ARE IN MM

DEPARTMENT OF ATOMIC ENERGY																			
DIRECTORATE OF PURCHASE AND STORES																			
REV	DATE	BY	CHKD	APPD	REV	DATE	BY	CHKD	APPD										
01																			
<b>ARC INSULATION &amp; INSULATORS PVT. LTD.</b> VILL - RAMDEVPUR, P.O. - BAWALI, DIST - 24 PGS (S) PIN - 743384, WEST BENGAL, INDIA					<table border="1"> <thead> <tr> <th>NAME</th> <th>DATE</th> </tr> </thead> <tbody> <tr> <td>SUBHADIP</td> <td>22.09.2020</td> </tr> <tr> <td>SUBHADIP</td> <td>22.09.2020</td> </tr> <tr> <td>ANUP</td> <td>22.09.2020</td> </tr> <tr> <td>MANISH</td> <td>22.09.2020</td> </tr> </tbody> </table>					NAME	DATE	SUBHADIP	22.09.2020	SUBHADIP	22.09.2020	ANUP	22.09.2020	MANISH	22.09.2020
NAME	DATE																		
SUBHADIP	22.09.2020																		
SUBHADIP	22.09.2020																		
ANUP	22.09.2020																		
MANISH	22.09.2020																		
<b>TITLE: TYPICAL DETAILS FRP CABLE TRAYS &amp; ACCESSORIES</b>																			
W.P.	C&I	MSE	MALY	ELEC	QWB	DEPT.	SCALE	NO SCALE	DRAWING No.										
						SGR			<b>ARC/FRP/20-21/12</b>										
									SHEET 2 OF 8 REV 00										



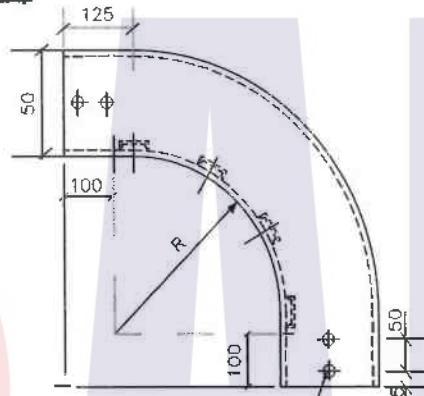
**FRP 90° VERTICAL BEND (OUTSIDE)**



**FRP 90° VERTICAL BEND (INSIDE)**

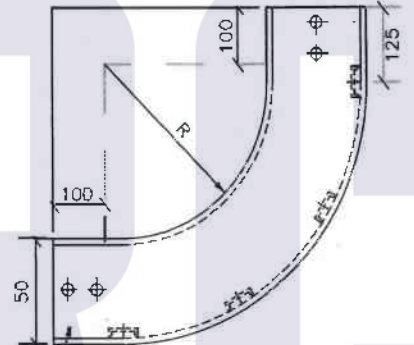
WIDTH(W)	RADIUS (R)
150	600
300	600

(20)

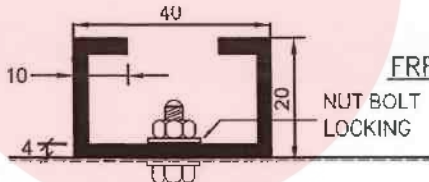


**ELEVATION FRP 90° VERTICAL BEND (OUTSIDE)**

2 NOS. 8 DIA. HOLES FOR JOINTING



**ELEVATION FRP 90° VERTICAL BEND (INSIDE)**



RUNG (CHANNEL STUD)

NUT BOLT LOCKING OF RUNG WITH SIDE RUNNER


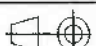
DETAIL X

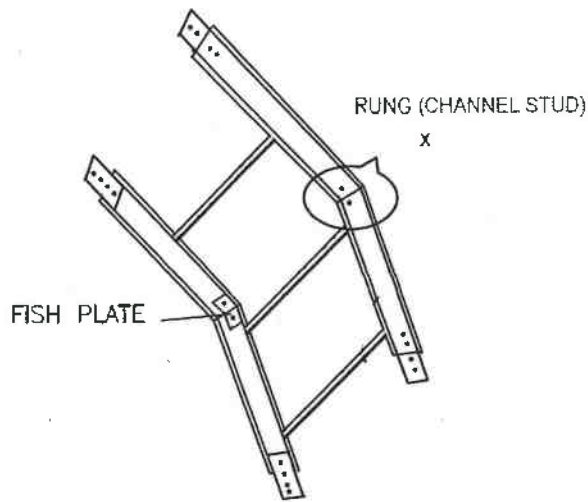
**LADDER TYPE ACCESSORIES FOR FRP TRAYS**

*Approved*  
*J. Datta* 07/11/20

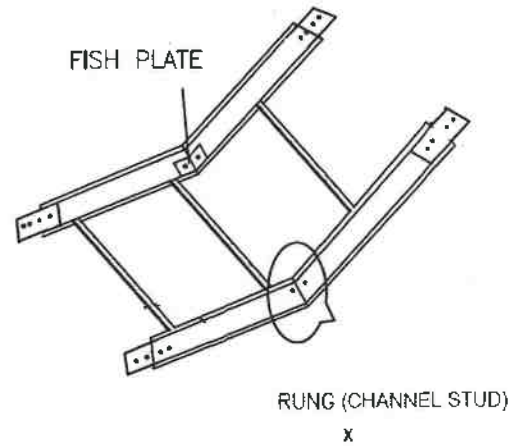
एल. एस. सिक्कार / L. S. Srikumar,  
प्रधान, एस.जी.टी.ए.ओ.एस. / Head, SGT-OS  
आरवाइओडी / एसएफडी / आरडीएसडीसी / RUDRANGARAJ  
इंदिरा गांधी केंद्र परमाणु अनुसंधान में  
Indira Gandhi Center for Atomic Research  
कलपाकम / Kalpakam तमिळुनाडु, कर्नाटक-58 732

REV	DATE	BY	CHKD	APPD	REV	DATE	BY	CHKD	APPD

 <b>DEPARTMENT OF ATOMIC ENERGY</b> DIRECTORATE OF PURCHASE AND STORES		<table border="1"> <thead> <tr> <th>REV</th> <th>BY</th> <th>CHKD</th> <th>DATE</th> </tr> </thead> <tbody> <tr> <td>01</td> <td>SUBHADIP</td> <td>SON</td> <td>22.04.2020</td> </tr> <tr> <td>02</td> <td>SUBHADIP</td> <td>SON</td> <td>22.08.2020</td> </tr> <tr> <td>03</td> <td>ANUP</td> <td>SON</td> <td>22.09.2020</td> </tr> <tr> <td>04</td> <td>MANISH</td> <td>SON</td> <td>22.09.2020</td> </tr> </tbody> </table>		REV	BY	CHKD	DATE	01	SUBHADIP	SON	22.04.2020	02	SUBHADIP	SON	22.08.2020	03	ANUP	SON	22.09.2020	04	MANISH	SON	22.09.2020
REV	BY	CHKD	DATE																				
01	SUBHADIP	SON	22.04.2020																				
02	SUBHADIP	SON	22.08.2020																				
03	ANUP	SON	22.09.2020																				
04	MANISH	SON	22.09.2020																				
<b>ARC</b> VILL - RAMDEVPUR, P.O. - BAWALI I, DIST - 24 PGS (S) PIN - 743384, WEST BENGAL, INDIA		ALL DIMENSION ARE IN MM																					
<b>TYPICAL DETAILS FRP CABLE TRAYS &amp; ACCESSORIES</b>																							
VP	CS	WE	MAJ	ELEC	CIVIL	DEPT.	SCALE	NO. SCALE	DRAWING No.														
DATE: 							<b>ARC/FRP/20-21/12</b> SHEET 3 OF 8 REV 00																

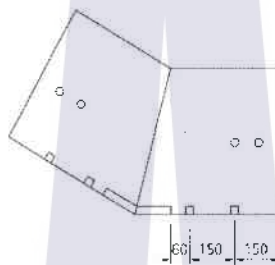


**FRP 45° VERTICAL BEND (OUTSIDE)**

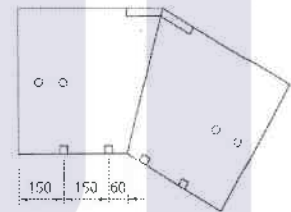


**FRP 45° VERTICAL BEND (INSIDE)**

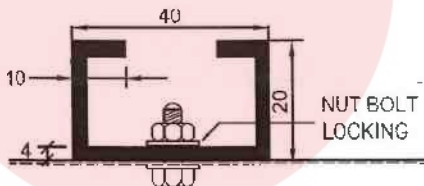
WIDTH(W)	RADIUS (R)
150	600



**45° INSIDE VERTICAL BEND (45° IVE)**



**45° OUTSIDE VERTICAL BEND (45° OVE)**



**RUNG (CHANNEL STUD)**

**NUT BOLT LOCKING OF RUNG WITH SIDE RUNNER**


**DETAIL X**

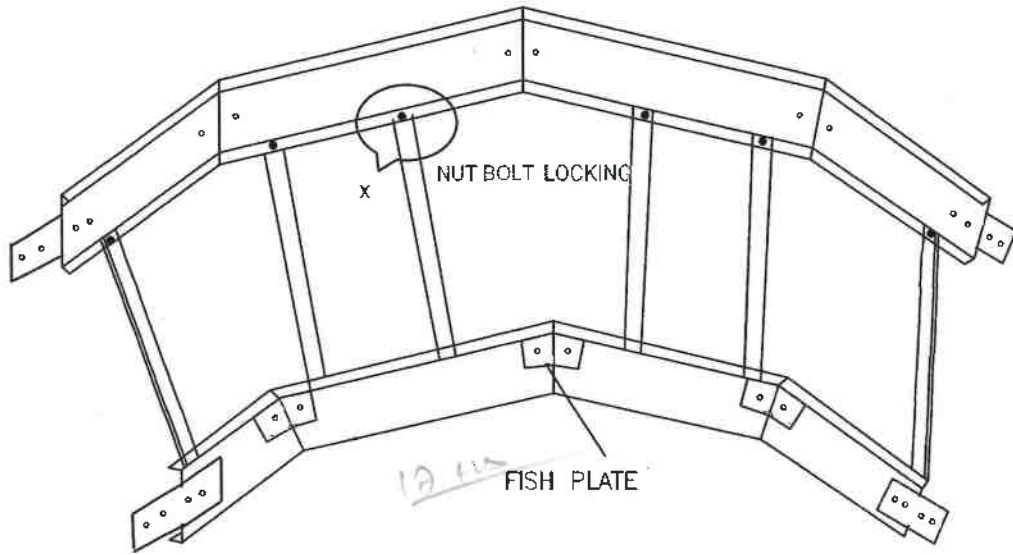
**LADDER TYPE ACCESSORIES FOR FRP TRAYS**

*Approved by: Kulkarni 05/07/21*

*एल. एच. सिंघुमार / L. S. Sivalumar,  
प्रधान, एच.जी.टी.ए-ओ.एस./Head, SGT-08  
आरकाइसोडी/एस्एफडी/आरडीएईटीसी/RIODSFGROD&T  
इंदिरा गांधी परमाणु अनुसंधान केंद्र  
Indira Gandhi Centre for Atomic Research  
कलकत्ता/कांक्राम तमिलनाडु/Tamil Nadu-603 102*

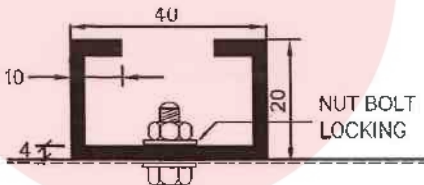
ALL DIMENSION ARE IN MM

DEPARTMENT OF ATOMIC ENERGY																													
DIRECTORATE OF PURCHASE AND STORES																													
REV	DATE	ALTD	LD	APPD	REV	DATE	ALTD	CHD	APPO																				
<div style="display: flex; justify-content: space-between;"> <div style="text-align: center;">  <p><b>ARC</b> VILL - RAMDEVPUR, P.O. - BAWALI, DIST - 24 PGS (S) PIN - 743384, WEST BENGAL, INDIA</p> </div> <div style="text-align: right;"> <p><b>ARC INSULATION &amp; INSULATORS PVT. LTD.</b></p> </div> </div>																													
<table border="1" style="width: 100%;"> <thead> <tr> <th>DRN</th> <th>NAME</th> <th>SIGN</th> <th>DATE</th> </tr> </thead> <tbody> <tr> <td>SUBHADIP</td> <td>SUBHADIP</td> <td>[Signature]</td> <td>22.09.2020</td> </tr> <tr> <td>ANUP</td> <td>ANUP</td> <td>[Signature]</td> <td>22.09.2020</td> </tr> <tr> <td>MANISH</td> <td>MANISH</td> <td>[Signature]</td> <td>22.09.2020</td> </tr> </tbody> </table>										DRN	NAME	SIGN	DATE	SUBHADIP	SUBHADIP	[Signature]	22.09.2020	ANUP	ANUP	[Signature]	22.09.2020	MANISH	MANISH	[Signature]	22.09.2020				
DRN	NAME	SIGN	DATE																										
SUBHADIP	SUBHADIP	[Signature]	22.09.2020																										
ANUP	ANUP	[Signature]	22.09.2020																										
MANISH	MANISH	[Signature]	22.09.2020																										
<p><b>TITLE</b>    <b>TYPICAL DETAILS FRP CABLE TRAYS &amp; ACCESSORIES</b></p>																													
<table border="1" style="width: 100%;"> <thead> <tr> <th>V-L</th> <th>CO</th> <th>MSE</th> <th>MMS</th> <th>ELEC</th> <th>CIVIL</th> <th>SEPT</th> <th>SCALE</th> <th>NO SCALE</th> <th>DRAWING NO.</th> </tr> </thead> <tbody> <tr> <td></td> <td></td> <td></td> <td></td> <td></td> <td></td> <td></td> <td></td> <td></td> <td><b>ARC/FRP/20-2 1/12</b></td> </tr> </tbody> </table>										V-L	CO	MSE	MMS	ELEC	CIVIL	SEPT	SCALE	NO SCALE	DRAWING NO.										<b>ARC/FRP/20-2 1/12</b>
V-L	CO	MSE	MMS	ELEC	CIVIL	SEPT	SCALE	NO SCALE	DRAWING NO.																				
									<b>ARC/FRP/20-2 1/12</b>																				
<p>SHEET <b>4</b> OF <b>8</b>    REV <b>00</b></p>																													



**FRP 90° HORIZONTAL BEND**

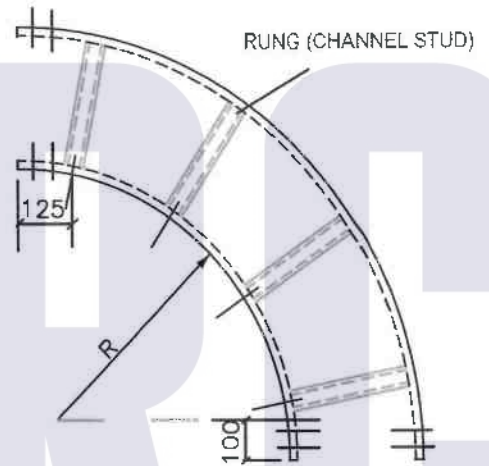
WIDTH(W)	RADIUS (R)
150	600
300	600



RUNG (CHANNEL STUD)

NUT BOLT LOCKING OF RUNG WITH SIDE RUNNER

**DETAIL X**




**PLAN**

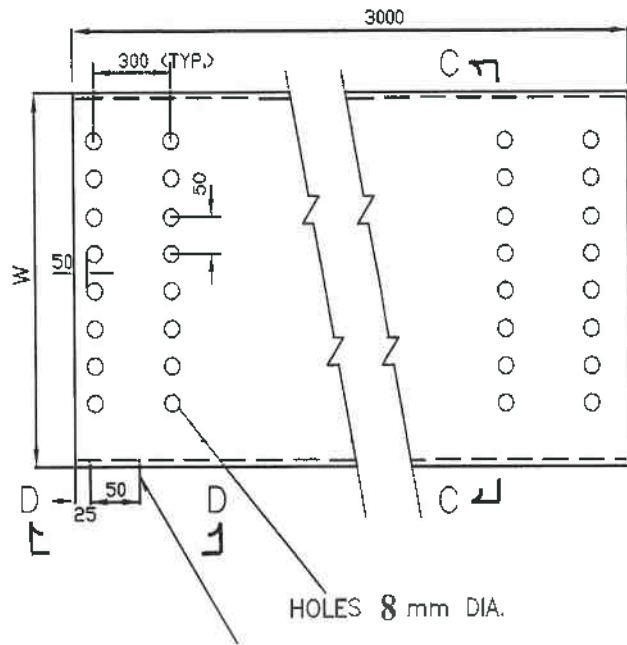
**FRP 90° HORIZONTAL BEND**

**LADDER TYPE ACCESSORIES FOR FRP TRAYS**

*Approval*  
*Dr. L. S. Shrivastava*  
 25/09/20  
 Dr. L. S. Shrivastava / L. S. Shrivastava,  
 मान. प्रा.जी.टी.ए.-ओ.प्रा./मंड. सर्व-OS  
 आणखंडाही/राज्यकोष/आणखंडाही/मंड.सर्व-OS  
 इंदिरा गांधी परमाणु अनुसंधान केंद्र  
 Indira Gandhi Centre for Atomic Research  
 कलकत्ता/कलकत्तामण्डल/तेमूर - 700 012

REV	DATE	AUT	CHK	APPD	REV	DATE	AUT	CHK	APPD

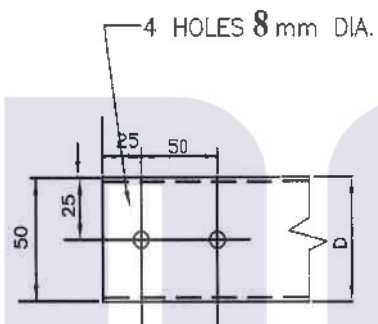
 <b>ARC INSULATION &amp; INSULATORS PVT. LTD.</b> VILL - RAMDEVPUR, P.O. - BAWALI, DIST - 24 PGS (S) PIN - 743384, WEST BENGAL, INDIA		NSRP SUBHADIP 22.09.2020							
		DEPT SUBHADIP 22.09.2020							
MANISH 22.09.2020		DEPT ANUP 22.09.2020							
<b>TITLE</b> <b>TYPICAL DETAILS FRP CABLE TRAYS &amp; ACCESSORIES</b>									
MPL	CNI	USE	MARK	ELEC.	CIVL	DEPT.	SCALE	NO SCALE	DRAWING NO.
									<b>ARC/FRP/20-2 I/12</b>
									SHEET 5 OF 8 REV 00



SECTION-CC

HOLES 8 mm DIA.

TRAY WIDTH W (mm)	300	150	100	100	50
TRAY DEPTH D (mm)	50	50	50	30	25
T (mm)	4	3	3	3	3



VIEW-DD

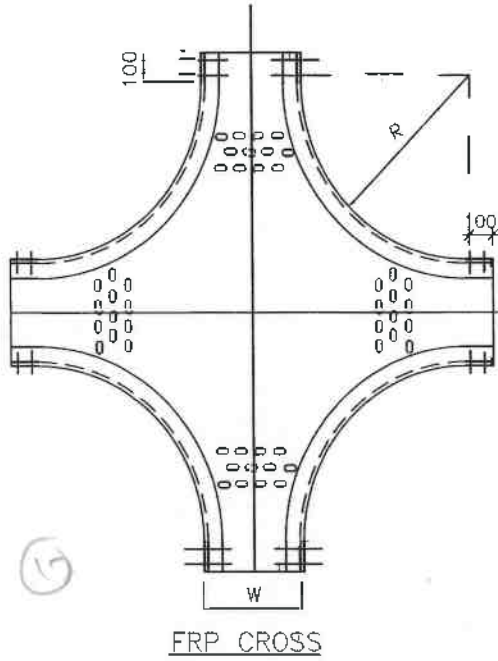
(100W/50W/150W TRAYS)

ALL DIMENSION ARE IN MM

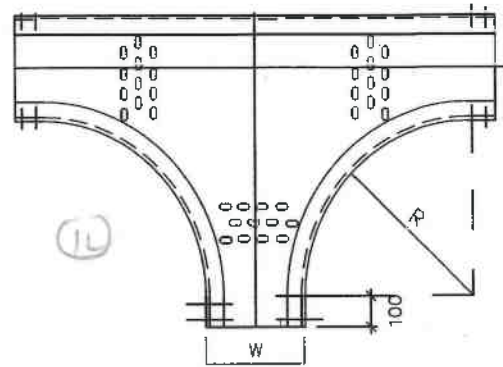
*Approved*  
*S. S. Siva Kumar*  
*05/04/21*

एल. एस. सिवकुमार / L. S. Sivakumar,  
प्रधान, एस.जी.टी.फ़-ओ.एस./Heard, SGT-OS  
आरआईओडी/एसएफजी/आरडीएंडटीजी / RIODISFGRODITG  
इंदिरा गांधी परमाणु अनुसंधान केंद्र  
Indira Gandhi Centre for Atomic Research  
कल्याकम / Kalpakkam तमिलनाडु / Tamil Nadu-603 102

		<b>DEPARTMENT OF ATOMIC ENERGY</b>											
		DIRECTORATE OF PURCHASE AND STORES											
	<b>ARC INSULATION &amp; INSULATORS PVT. LTD.</b> VILL - RAMDEVPUR, P.O. - BAWALI, DIST - 24 PGS (S) PIN - 743384, WEST BENGAL, INDIA		<table border="1"> <tr> <td>REVISED BY</td> <td>DATE</td> </tr> <tr> <td>DRN</td> <td>SUBHADIP</td> </tr> <tr> <td>DESN</td> <td>SUBHADIP</td> </tr> <tr> <td>CHKD</td> <td>ANUP</td> </tr> <tr> <td>APPR</td> <td>MANISH</td> </tr> </table>	REVISED BY	DATE	DRN	SUBHADIP	DESN	SUBHADIP	CHKD	ANUP	APPR	MANISH
	REVISED BY	DATE											
DRN	SUBHADIP												
DESN	SUBHADIP												
CHKD	ANUP												
APPR	MANISH												
<b>TYPICAL DETAILS FRP CABLE TRAYS &amp; ACCESSORIES</b>			22.09.2020 27.03.2020 22.09.2020 22.09.2020										
MPL	EST	MSL	MANIP	ELECT	CIVIL	DEPT	SCALE	NO SCALE	DRAWING No.				
									ARC/FRP/20-21/12				
									SHEET 6 OF 8				



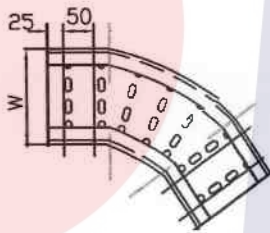
WIDTH(W)	RADIUS (R)
150	600



FRP CROSS

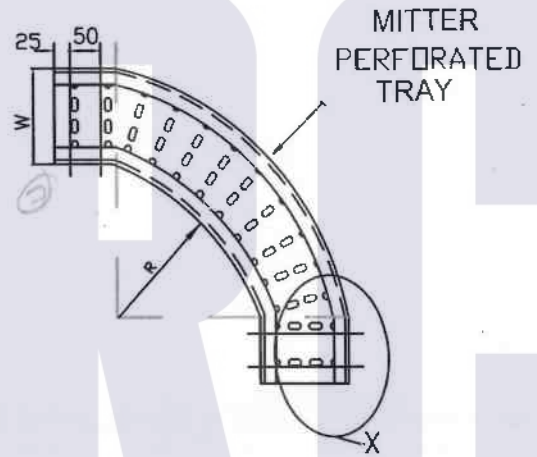
FRP TEE

WIDTH(W)	RADIUS (R)
150	600

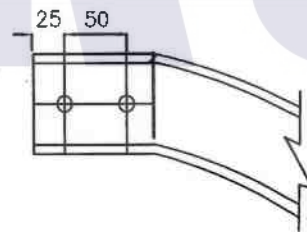


FRP 45° HORIZONTAL BEND - PERFORATED TYPE

MITTER PERFORATED TRAY



FRP 90° HORIZONTAL BEND - PERFORATED TYPE



ENLARGED VIEW OF "X"  
FRP 90° VERTICAL BEND - PERFORATED TYPE

WIDTH(W)	RADIUS (R)
50	600

ALL DIMENSION ARE IN MM

*Approved*  
*J. S. Das*  
*05/04/11*

प्र. एस. सिवकुमार / L. S. Sivakumar,  
प्रधान, एस.जी.टी.एफ.-ओ.एस. / Head, SGT-FOS  
आरआईओडी / एसएफडी / आरडीएंडटीजी / RIODISFGRODTG  
इंदिरा गांधी अणुसंधान अनुसंधान केंद्र  
Indira Gandhi Centre for Atomic Research  
कलपाकम / Kalpakkam तमिल नाडु / Tamil Nadu-603 102

DEPARTMENT OF ATOMIC ENERGY

DIRECTORATE OF PURCHASE AND STORES

REV	DATE	APPD	CHD	ALTD	CAUSE

ARC INSULATION & INSULATORS PVT. LTD.  
VILL - RAMDEVPUR, P.O. - BAWALI, DIST - 24 PGS (S)  
PIN - 743384, WEST BENGAL, INDIA

DRN	NAME	SRV	DATE
DESN	SUBHADIP		22.09.2020
CHD	SUBHADIP		22.09.2020
APPD	ANUP		22.09.2020
	MANISH		22.09.2020

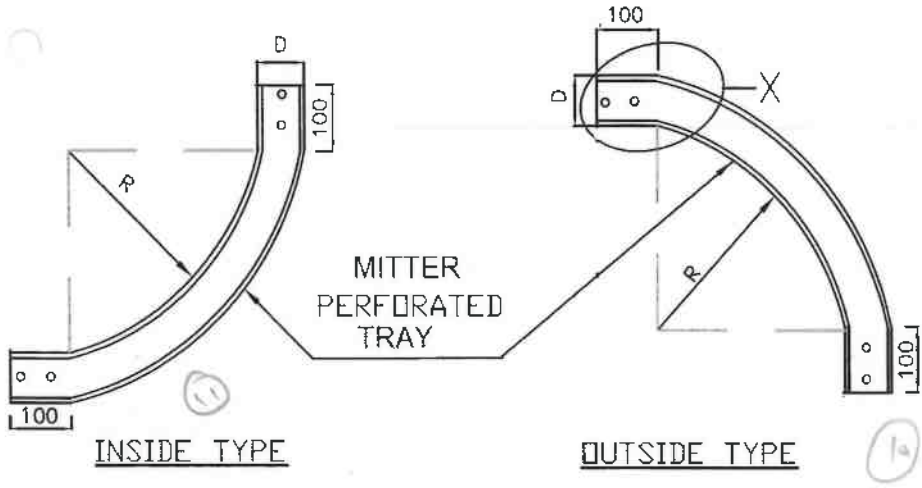
NO	QTY	UNIT	REMARKS

TITLE: TYPICAL DETAILS FRP CABLE TRAYS & ACCESSORIES

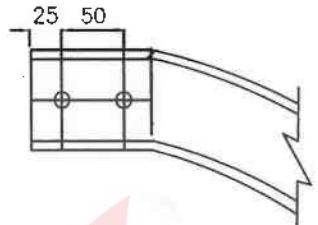
NO	QTY	UNIT	REMARKS

ARC/FRP/20-2/1/12  
SHEET 7 OF 8 Rev 00

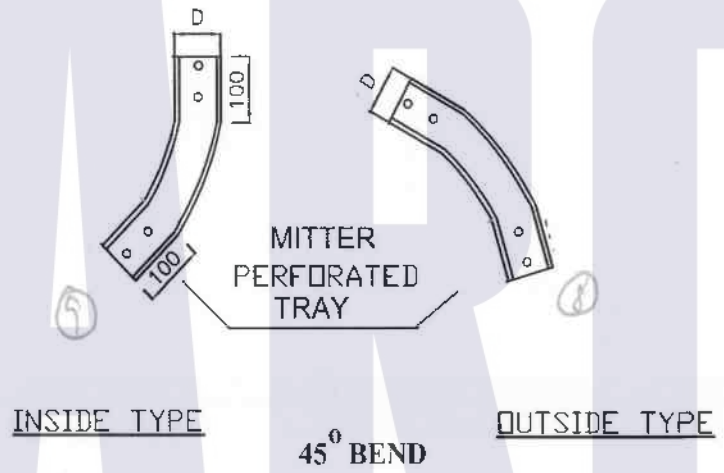
WIDTH(W)	RADIUS (R)
150	600



ENLARGED VIEW OF "X"  
FRP 90° VERTICAL BEND  
- PERFORATED TYPE



WIDTH(W)	RADIUS (R)
150	600



PERFORATED TYPE ACCESSORIES FOR FRP TRAYS

ALL DIMENSION ARE IN MM

*Approved*  
*L. S. Sivakumar*  
*05/04/21*

एल. एस. सिवकुमार / L. S. Sivakumar,  
प्रधान, एस.जी.टी.एफ.-ओ.एस. / Head, SGT-OS  
आरआईडीसी / एसएफजी / आरडीएडबीजी / RIODISFGIRDATG  
इंदिरा गांधी परमाणु अनुसंधान केंद्र  
Indira Gandhi Centre for Atomic Research  
कलपाकम / Kalpakkam तमिलनाडु / Tamil Nadu-603 102

<p>DEPARTMENT OF ATOMIC ENERGY DIRECTORATE OF PURCHASE AND STORES</p>		<p>ARC INSULATION &amp; INSULATORS PVT. LTD.</p>	
		<p>VILL - RAMDEVPUR, P.O. - BAWALI, DIST - 24 PGS (S) PIN - 743384, WEST BENGAL, INDIA</p>	
<p>ARC</p>		<p>NAME: SUBHADIP</p>	<p>DATE: 22.09.2020</p>
<p>TITLE: TYPICAL DETAILS FRP CABLE TRAYS &amp; ACCESSORIES</p>		<p>DESIGN: SUBHADIP</p>	<p>DATE: 22.09.2020</p>
<p>SCALE: NO SCALE</p>		<p>DRAWN: ANUP</p>	<p>DATE: 22.09.2020</p>
<p>NO. OF SHEETS: 8</p>		<p>NO. OF SHEETS: 8</p>	<p>REV: 00</p>

REV	DATE	INTD	CHKD	APPR	BY	DATE	INTD	CHKD	APPR

# JINDAL (INDIA) LIMITED



NH-6, Village - Jangalpur, P.O: Argori, G.P: Andul, Dist - Howrah-711302, West Bengal, India

Ph: + 91-33-2647 0727, 2669 6319/20 Fax: + 91-33-2669 0356

Website: www.jindalindia.com

<b>PLANT: Jangalpur CR3</b> GSTIN NO: 19AAACJ2054J1ZL PAN NO.: AAACJ2054J CIN NO : U51109WB1991PLC092393	Delivery Address: National Highway No.6, Village # Jangalpur,P.O. Andul,P.S. Sankrail, Dist. Howrah, 711302, West Bengal, India  Contact Person: No: + 91 33 26696254/1801-1804 Email: PURCHASE@JINDALINDIA.COM
---	---

## PURCHASE ORDER

<b>Vendor Code: A0677</b> <b>Vendor ARC INSULATION &amp; INSULATORS PVT. LT</b> Address: VILL - RAMDEVPUR P.O. - BAWALI S, WEST BENGAL, 743384, West Bengal, India  GSTIN: 19AAHCA6355Q1ZX	<b>PO NO: 4500081255 Date: 21.08.2021</b> Amnd. No: 2 Date: 21.08.2021 RFQ No: Date: Party Ref. No: Date: Contract No: Date:
---	--

SL No. (Line)	Item Code (PR No.)	Item Description	UoM	Qty	Rate	Discount	Amount (INR)
1 (10)	61014709 (0010039331/00060) (eBid.ID-3073497370)	ELBOW FOR PERFORATED CABLE TRAY 300MM ELBOW MUST NEEDED WITH COUPLER PLATE,OTHER COMPLETE HARDWARE ACCESSORIES THICKNESS: STANDARD MATERIAL : FRP ONLY Input : CGST 9% + SGST 9% Set off	PC				
2 (20)	61014759 (0010039331/00070) (eBid.ID-3073497370)	ELBOW FOR PERFORATED CABLE TRAY 200MM ELBOW MUST NEEDED WITH COUPLER PLATE,OTHER COMPLETE HARDWARE ACCESSORIES THICKNESS: STANDARD MATERIAL : FRP ONLY Input : CGST 9% + SGST 9% Set off	PC				
3 (30)	61014710 (0010039331/00080) (eBid.ID-3073497370)	ELBOW FOR PERFORATED CABLE TRAY 150MM ELBOW MUST NEEDED WITH COUPLER PLATE,OTHER COMPLETE HARDWARE ACCESSORIES THICKNESS: STANDARD MATERIAL : FRP ONLY Input : CGST 9% + SGST 9% Set off	PC				
4 (40)	61014760 (0010039331/00090) (eBid.ID-3073497370)	ELBOW FOR PERFORATED CABLE TRAY 100MM ELBOW MUST NEEDED WITH COUPLER PLATE,OTHER COMPLETE HARDWARE ACCESSORIES THICKNESS: STANDARD MATERIAL : FRP ONLY Input : CGST 9% + SGST 9% Set off	PC				
5 (50)	61014713 (0010039331/00100) (eBid.ID-3073497370)	TEE FOR PERFORATED CABLE TRAY 300MM TEE MUST NEEDED WITH COUPLER PLATE,OTHER COMPLETE HARDWARE ACCESSORIES THICKNESS: STANDARD MATERIAL : FRP ONLY Input : CGST 9% + SGST 9% Set off	PC				

Note : The Supplier/ Service Provider agrees to comply with all applicable GST laws, including GST acts, rules, regulations, procedures, circulars & instructions thereunder applicable in India from time to time and to ensure that such compliance is done within the time prescribed under such laws. Supplier/Service Provider should ensure accurate transaction details, as required by GST laws, are timely uploaded in GSTN[1]. In case there is any mismatch between the details so uploaded in GSTN by Supplier/ Service Provider and details available with Jindal (India) Limited, then payments to Supplier/Service Provider to the extent of GST relating to the invoices/s under mismatch may be retained from due payments till such time the accurate tax amount is finally reflected in the GSTN to Jindal (India) Limited's Account and is finally available to Jindal (India) Limited in terms of GST laws and that the credit of GST so taken by Jindal (India) Limited is not required to be reversed at a later date along with applicable interest.



SL No. (Line)	Item Code (PR No.)	Item Description	UoM	Qty	Rate	Discount	Amount (INR)
6 (60)	61014761 (0010039331/00110) (eBid.ID-3073497370)	TEE FOR PERFORATED CABLE TRAY 200MM TEE MUST NEEDED WITH COUPLER PLATE,OTHER COMPLETE HARDWARE ACCESSORIES THICKNESS: STANDARD MATERIAL : FRP ONLY Input : CGST 9% + SGST 9% Set off	PC				
7 (70)	61014714 (0010039331/00120) (eBid.ID-3073497370)	TEE FOR PERFORATED CABLE TRAY 150MM TEE MUST NEEDED WITH COUPLER PLATE,OTHER COMPLETE HARDWARE ACCESSORIES THICKNESS: STANDARD MATERIAL : FRP ONLY Input : CGST 9% + SGST 9% Set off	PC				
8 (80)	61014762 (0010039331/00130) (eBid.ID-3073497370)	TEE FOR PERFORATED CABLE TRAY 100MM TEE MUST NEEDED WITH COUPLER PLATE,OTHER COMPLETE HARDWARE ACCESSORIES THICKNESS: STANDARD MATERIAL : FRP ONLY Input : CGST 9% + SGST 9% Set off	PC				
9 (90)	61014763 (0010039331/00140) (eBid.ID-3073497370)	PERFORATED CABLE TRAY REDUCER 300-200MM REDUCER MUST NEEDED WITH COUPLER PLATE,OTHER COMPLETE HARDWARE ACCESSORIES THICKNESS: STANDARD MATERIAL : FRP ONLY Input : CGST 9% + SGST 9% Set off	PC				
10 (100)	61014718 (0010039331/00150) (eBid.ID-3073497370)	PERFORATED CABLE TRAY REDUCER 300-150MM REDUCER MUST NEEDED WITH COUPLER PLATE,OTHER COMPLETE HARDWARE ACCESSORIES THICKNESS: STANDARD MATERIAL : FRP ONLY Input : CGST 9% + SGST 9% Set off	PC				
11 (110)	61014764 (0010039331/00160) (eBid.ID-3073497370)	PERFORATED CABLE TRAY REDUCER 300-100MM REDUCER MUST NEEDED WITH COUPLER PLATE,OTHER COMPLETE HARDWARE ACCESSORIES THICKNESS: STANDARD MATERIAL : FRP ONLY Input : CGST 9% + SGST 9% Set off	PC				
12 (120)	61014765 (0010039331/00170) (eBid.ID-3073497370)	PERFORATED CABLE TRAY REDUCER 200-150MM REDUCER MUST NEEDED WITH COUPLER PLATE,OTHER COMPLETE HARDWARE ACCESSORIES THICKNESS: STANDARD MATERIAL : FRP ONLY Input : CGST 9% + SGST 9% Set off	PC				
13 (130)	61014766 (0010039331/00180) (eBid.ID-3073497370)	PERFORATED CABLE TRAY REDUCER 200-100MM REDUCER MUST NEEDED WITH COUPLER PLATE,OTHER COMPLETE HARDWARE ACCESSORIES THICKNESS: STANDARD MATERIAL : FRP ONLY Input : CGST 9% + SGST 9% Set off	PC				
14 (140)	61014767 (0010039331/00190) (eBid.ID-3073497370)	PERFORATED CABLE TRAY REDUCER 150-100MM REDUCER MUST NEEDED WITH COUPLER PLATE,OTHER COMPLETE HARDWARE ACCESSORIES THICKNESS: STANDARD MATERIAL : FRP ONLY Input : CGST 9% + SGST 9% Set off	PC				
15 (150)	61014768 (0010039331/00200) (eBid.ID-3073497370)	CROSS FOR PERFORATED CABLE TRAY 300MM CROSS MUST NEEDED WITH COUPLER PLATE,OTHER COMPLETE HARDWARE ACCESSORIES THICKNESS: STANDARD MATERIAL : FRP ONLY Input : CGST 9% + SGST 9% Set off	PC				

SL No. (Line)	Item Code (PR No.)	Item Description	UoM	Qty	Rate	Discount	Amount (INR)
16 (160)	61014769 (0010039331/00210) (eBid.ID-3073497370)	CROSS FOR PERFORATED CABLE TRAY 200MM CROSS MUST NEEDED WITH COUPLER PLATE,OTHER COMPLETE HARDWARE ACCESSORIES THICKNESS: STANDARD MATERIAL : FRP ONLY Input : CGST 9% + SGST 9% Set off	PC				
17 (170)	61014770 (0010039331/00220) (eBid.ID-3073497370)	CROSS FOR PERFORATED CABLE TRAY 150MM CROSS MUST NEEDED WITH COUPLER PLATE,OTHER COMPLETE HARDWARE ACCESSORIES THICKNESS: STANDARD MATERIAL : FRP ONLY Input : CGST 9% + SGST 9% Set off	PC				
18 (180)	61014726 (0010039331/00050) (eBid.ID-3073497370)	PERFORATED CABLE TRAY 3000X100X50MM CABLE TRAY MUST NEEDED WITH LOCABLE COVER,COUPLER PLATE,OTHER COMPLETE HARDWARE ACCESSORIES THICKNESS: STANDARD MATERIAL : FRP ONLY Input : CGST 9% + SGST 9% Set off	PC				
19 (190)	61004100 (0010039331/00040) (eBid.ID-3073497370)	PERFORATED CABLE TRAY 3000X50X50MM CABLE TRAY MUST NEEDED WITH LOCABLE COVER,COUPLER PLATE,OTHER COMPLETE HARDWARE ACCESSORIES THICKNESS: STANDARD MATERIAL : FRP ONLY Input : CGST 9% + SGST 9% Set off	PC				
20 (200)	61014481 (0010039331/00010) (eBid.ID-3073497370)	PERFORATED CABLE TRAY 3000X300X75MM CABLE TRAY MUST NEEDED WITH LOCABLE COVER,COUPLER PLATE,OTHER COMPLETE HARDWARE ACCESSORIES THICKNESS: STANDARD MATERIAL : FRP ONLY Input : CGST 9% + SGST 9% Set off	PC				
21 (210)	61004099 (0010039331/00020) (eBid.ID-3073497370)	PERFORATED CABLE TRAY 3000X150X50MM CABLE TRAY MUST NEEDED WITH LOCABLE COVER,COUPLER PLATE,OTHER COMPLETE HARDWARE ACCESSORIES THICKNESS: STANDARD MATERIAL : FRP ONLY Input : CGST 9% + SGST 9% Set off	PC				
22 (220)	61004098 (0010039331/00030) (eBid.ID-3073497370)	PERFORATED CABLE TRAY 2500X200X50MM CABLE TRAY MUST NEEDED WITH LOCABLE COVER,COUPLER PLATE,OTHER COMPLETE HARDWARE ACCESSORIES THICKNESS: STANDARD MATERIAL : FRP ONLY Input : CGST 9% + SGST 9% Set off	PC				
<b>Amount in Words</b> Twelve Lakh Thirty Thousand Thirty Rupees Fifty Paise			Material Value:		1,016,975.00		
			Freight:		30,000.00		
			SGST		94227.75		
			CGST		94227.75		
			<b>Total Amount</b>		<b>1,230,030.50</b>		

**Terms and Conditions**

For Jindal (India) Limited  
Mandatory: Purchase Order Number should be mentioned on all documents

Packing and Forwarding: INCLUDED

Tax: SGST / CGST EXTRA @18%

Price Basis : for JANGALPUR DELIVERY

Freight:INCLUDED

Insurance: Nil

Delivery Period: WITHIN 4 WEEKS FROM THE DATE OF RECEIPT OF PO/LOI.

L.D. Clause: APPLICABLE AS PER JIL POLICY

Payment Terms: 50% ADVANCE AGAINST PROFORMA INVOICE AND BALANCE 50% AGAINST P.I AFTER REDINESS OF MATERIAL BEFORE DISPATCH

-----  
Approved By

# DIAMOND BEVERAGES (P) LIMITED

Authorised Bottlers of THE COCA-COLA COMPANY



AMENDMENT

Regd. Office & Factory : P-41, TARATALA ROAD, KOLKATA - 700 088, INDIA  
CIN : U15549WB1995PTC074469

Gram : CALBISLERI, Calcutta  
Phone : 39878200  
Fax : 91-33-2401 0142  
E-mail : dbpl@diamondbev.in

## PURCHASE ORDER

TO  
**ARC INSULATIONS & INSULATORS (P) LTD.**  
KOLKATA

G.S.T. NO. : 19AABCD3346C1Z0  
PUR ORDER NO. : DBPL/18-19/PROJ/868  
DATE : 4-Feb-19  
QUOTATION NO. : E-MAIL  
DATE : 9-Jan-19

DEAR SIR,

WE ARE PLEASED TO PLACE OUR PURCHASE ORDER AS HEREUNDER I

SL NO	DESCRIPTION	QTY	RATE	AMOUNT
<b>A</b>	<b><u>CABLE TRAY</u></b>			
1	SIZE : 800 X 100 X 4 MM; TYPE LADDER	75 MTRS.		
2	SIZE : 600 X 100 X 4 MM; TYPE LADDER	105 MTRS.		
3	SIZE : 500 X 100 X 4 MM; TYPE LADDER	95 MTRS.		
4	SIZE : 400 X 100 X 4 MM; TYPE LADDER	45 MTRS.		
5	SIZE : 300 X 100 X 4 MM; TYPE LADDER	300 MTRS.		
6	SIZE : 200 X 100 X 4 MM; TYPE LADDER	190 MTRS.		
7	SIZE : 150 X 50 X 4 MM; TYPE PERFORATED	180 MTRS.		
8	SIZE : 100 X 50 X 4 MM; TYPE PERFORATED	300 MTRS.		
9	SIZE : 75 X 50 X 4 MM; TYPE PERFORATED	170 MTRS.		
10	SIZE : 50 X 50 X 4 MM; TYPE PERFORATED	60 MTRS.		
<b>B</b>	<b><u>CABLE TRAY BEND</u></b>			
	<b><u>SIZE : 800MM</u></b>			
1	800-90 Deg Horizontal Bend	5 Nos		
2	Reducer 800 x 300	2 Nos		
3	Horizontal radius Tee 800 x 500	1 Nos		
4	Reducer 800 x 500	1 Nos		
	<b><u>SIZE : 400MM</u></b>			
1	400-90 Left Horizontal Bend	2 Nos		
2	Outside vertical radius bend	3 Nos		
3	Inside vertical radius bend	2 Nos		
4	Reducer 400 - 50	1 Nos		
5	Tee Bend 400	3 Nos		
6	Reducer 400 - 100	1 Nos		

*Agal*  
7/2/19

For DIAMOND BEVERAGES (P) LIMITED

SANJEEV SARAF  
V P (OPERATIONS)

: 2 :

SL NO	DESCRIPTION	QTY	RATE	AMOUNT
	<u>SIZE : 300MM</u>			
1	Left 90 Bend	6 Nos		
2	Inside vertical radius bend	4 Nos		
3	Outside vertical radius bend	10 Nos		
4	Horizontal radius Tee 300	2 Nos		
5	Reducer 300 x 200	2 Nos		
6	Reducer 300 x 100	2 Nos		
	<u>SIZE : 500MM</u>			
1	90 Deg Horizontal radius Bend	4 Nos		
2	Outside vertical radius bend	1 Nos		
3	Horizontal radius Tee	1 Nos		
	<u>SIZE : 150MM</u>			
1	90 Deg Bend	10 Nos		
2	Outside vertical radius bend	2 Nos		
3	Tee Bend	3 Nos		
	<u>SIZE : 600MM</u>			
1	Outside vertical radius bend	1 Nos		
2	90 Deg Bend	4 Nos		
3	Horizontal radius Tee 600 x 150	4 Nos		
4	Reducer 600 x 150	4 Nos		
5	Reducer 600 x 65	1 Nos		
	<u>SIZE : 200MM</u>			
1	Horizontal radius Tee	5 Nos		
2	90 Deg Bend	8 Nos		
3	reducer 200 x 65	1 Nos		
	Inside vertical radius bend	1 Nos		
	Outside vertical radius bend	1 Nos		
	<u>SIZE : 100MM</u>			
1	Horizontal radius Tee	15 Nos		
2	90 Deg Bend	4 Nos		
3	Outside vertical radius bend	2 Nos		
4	Inside vertical radius bend	2 Nos		
	<u>SIZE : 75MM</u>			
1	Horizontal radius Tee	2 Nos		
2	90 Deg Bend	6 Nos		
3	Outside vertical radius bend	2 Nos		
	<u>SIZE : 50MM</u>			
1	Tee Bend	3 Nos		
TC				
Less : D				
GRA				

(Rupees Eleven Lakh sixty six thousand five hundred forty three only)

Agreed  
6/2/19

For DIAMOND BEVERAGES (P) LIMITED Contd.... 3

SANJEEV SARAF  
V P (OPERATIONS)

: 3 :

**TERMS & CONDITIONS**

DELIVERY : Positively within 2 Weeks  
GSTIN : Extra as applicable  
FREIGHT : Extra at actuals  
PAYMENT : 30% Advance along with Order 60% against Proforma Invoice and 10% after delivery.

- NOTE :**
- 1) ARC to provide load Test Certificate for Cable Trays.
  - 2) Bend & Tee to have bending radius of as follows :
    - ◆ 800 - 790 mm
    - ◆ 400 - 790 mm
    - ◆ 300 - 790 mm
    - ◆ 500 - 790 mm
    - ◆ 600 - 790 mm
    - ◆ 200 - 540 mm - 2 nos, Rest 6 Normal.

Agreed  
6/2/19

For DIAMOND BEVERAGES (P) LIMITED  
SANTOSH SARAF  
V.P. (OPERATIONS)

